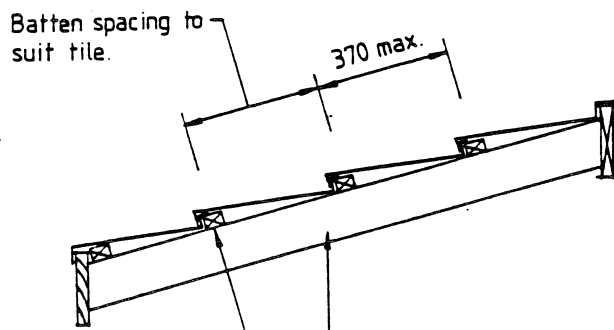
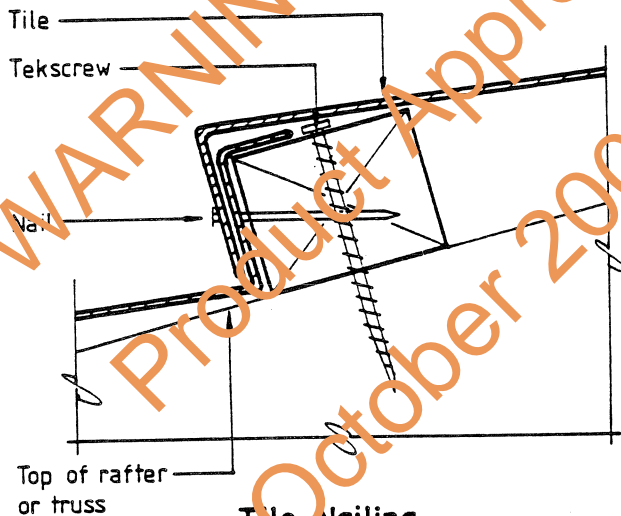


# DESIGN & FIXING DATA



50 x 40 HW Battens

Rafter or truss top chord  
see Table 1 for spacing



**Tile Nailing**

**Table 1**

Terrain Category	Truss / Rafter Spacings
2	900
2 1/2	1200
3	1200

## BATTEN FIXING

Battens to be 50 x 40 hardwood fixed to each support with one (1) 75 x 4.76 mm dia Tek screw. Holes to be pre-drilled and battens counter sunk for screw head.

## TILE FIXING

Nails to be 50 x 2.5 mm galvanized flat head nails. Nail spacing to be generally 4 nails per tile but increased for high pressure areas as per Table 2 (High pressure areas as defined in AS 1170 Part 2).

**Table 2 Tile Fixing**

Terrain Category	Roof Area Notation	Number of nails per tile for buildings of height	
		0 - 5m	5 - 10m
2	D (general)	4	
	F (eaves & ridge)	7	
	G (corners)	7	
2 1/2 & 3	D	4	4
	F	4	7
	G	7	7

Manufacturer

ROLLS GERARD TILE CO. LTD.

Address

P.O. Box 220 Revesby,  
N.S.W. 2212

Certified

*Brain Colless*  
COLLESS & FINCH PTY LTD

Date

10-2-83

FIXING OF

ROLLS GERARD METAL TILE  
IN THE DARWIN AREA

FIXING DETAIL SHEET

Northern Territory Cyclonic Area

Approved *[Signature]*

Date 11-2-83

Drawing No.

M/111/3