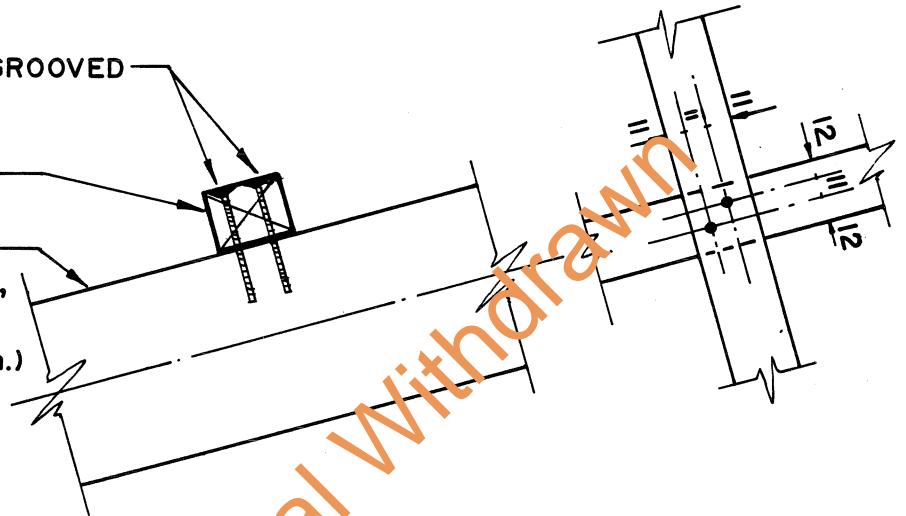


75 x 3.2 ANNULARLY GROOVED
BOSTITCH NAILS

50 x 38 H.W. BATTENS
AT 370 MAX. CTRS.

TRUSS OR RAFTER
H.W. (KERUING, HOPEA,
BATU).

F11 STRESS GRADE (min.)



NOTES

GROUND AND ELEVATED HOUSES
TO 8 METRES IN HEIGHT.
TERRAIN CATEGORY 2 1/2
TRUSSES MAX. 900 CTRS.

TWO 75 x 3.2 ANNULARLY GROOVED BOSTITCH
NAILS EVERY BATTEN/TRUSS
CONNECTION.

TERRAIN CATEGORY 2
TRUSSES MAX. 900 CTRS.

TYPE 17 - No. 14 TEK SCREW x 90 LONG TO
EVERY BATTEN/TRUSS CONNECTION.

TERRAIN CATEGORY 1
TRUSSES MAX. 900 CTRS.

TABLE I.

DESIGN WIND PRESSURE (kPa)	
FIXING OF FASTENERS	
2 No. 75 x 3.2 ANNULAR GROOVED NAILS TO EVERY BATTEN/TRUSS CONNECTION	4.2
1 No. TYPE 17 - No 14 TEK SCREW 90 LONG TO EVERY BATTEN/TRUSS CONNECTION	7.5

WILLING & PARTNERS PTY.
CONSULTING ENGINEERS LTD.

TEM HOUSE, 5 EDMUNDS STREET, DARWIN 5790
REG HARRIS LANE, TODD MALL, ALICE SPRINGS

**ROLLS GERARD METAL TILE
FIXING DETAILS**

**DESIGN DATA SHEET
DARWIN CYCLONE AREA**

DEPARTMENT OF LANDS
BUILDING BRANCH

DRAWING No.

M / III / 4

PRINCIPAL

M.P. Kelly DATE 27.7.87

APP'D

G.R. Gardner M.I.E. AUST
10/8/87