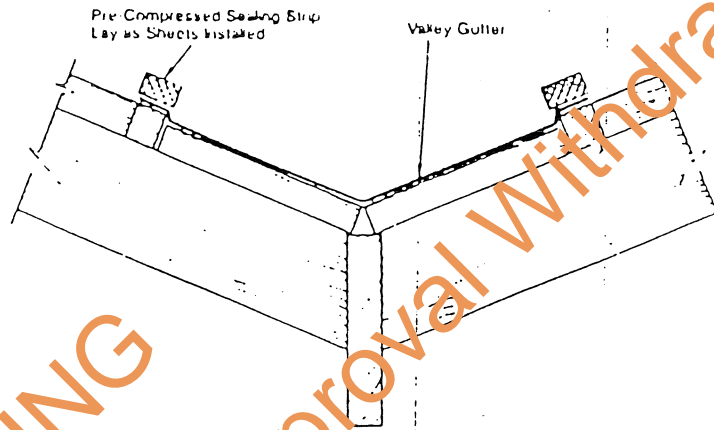


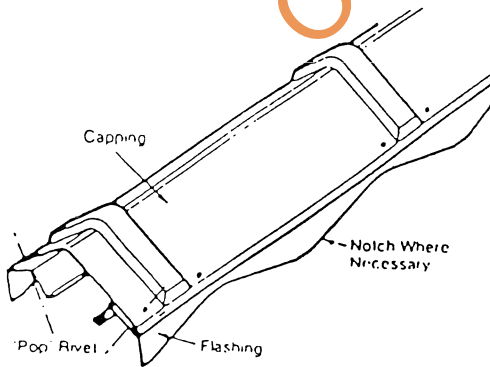
VALLEY DETAILS

VALLEY BOARDS SHOULD BE LAID IN ACCORDANCE WITH STANDARD BUILDING PRACTISE. MONIER COLORCARD VALLEY IS THEN SCREWED TO THE VALLEY BATTENS AT 900mm CENTRES USING NR. 10 x 6mm WAFER HEAD TYPE 7. SELF DRILLING SCREWS. AS EACH SHEET OF 'STILE' ROOFING IS LAID THE PRE-COMPRESSED SEALING STRIP SHOULD BE INSTALLED BETWEEN THE VALLEY HIP AND THE UNDERSIDE OF THE SHEET.

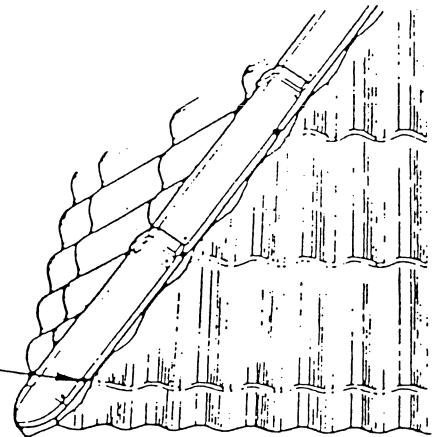


FIXING OF HIP CAPPING.

BEFORE FASTENING HIP CAPPING, THE HIP FLASHINGS NEED TO BE FASTENED USING 3mm ZINC PLATED BLIND RIVETS, TWO AT EVERY JOGGLE AS SHOWN BELOW. THE COMPLETED CAPPING IS THEN FASTENED TO THE BATTENS AT EVERY CORRESPONDING STEP IN THE ROOF SHEETING ON BOTH SIDES.



FASTEN TO BATTENS AT EVERY CORRESPONDING STEP.



NOTE: FOR COMPLETE INSTALLATION DETAILS SEE THE MONIER 'STILE' INSTALLATION MANUAL.

<p>MANUFACTURER:- MONIER METAL BUILDING PRODUCTS EVERLEY ROAD SOUTH GRANVILLE N.S.W. 2142.</p>	<p>FIXING OF:- <u>MONIER 'STILE'</u> ON BUILDINGS OF HEIGHT UP TO 10m</p>	
<p>CERTIFIED:- <i>[Signature]</i> ERK STOKES BEE FIC (AUST) HEAD OF DEPARTMENT CIVIL & AERONAUTICAL ENGINEERING R.M.I.T LTD.</p>	<p>DESIGN DATA SHEET DARWIN CYCLONIC AREA</p>	
	<p>DEPARTMENT OF LANDS BUILDING BRANCH</p>	<p>DRAWING NO M/112/9</p>
	<p>APP. <i>[Signature]</i> DATE 12 DEC, 85</p>	