

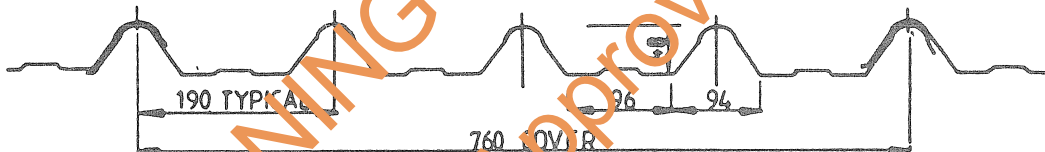
**DESIGN WIND PRESSURE (kPa)**

MATERIAL	INTERNAL SPAN			END SPAN		
	1200	1500	1800	900	1200	1500
Steel thickness 0.42 mm						
Screw fixed	4.78	3.68	2.60	4.78	3.68	2.60

NOTE :-

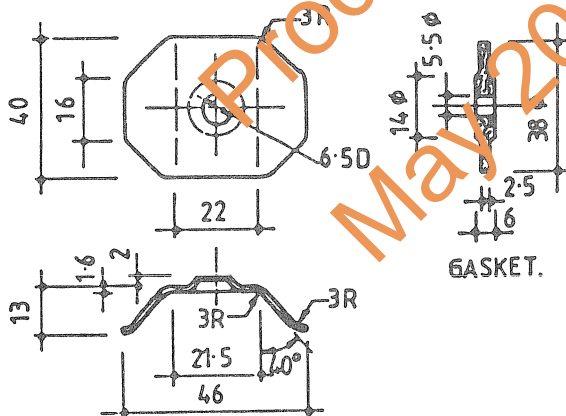
1. Linear interpolation may be carried out for pressures and spans not listed.
2. Figures are for one fastener per crest at each support.

**FIXING DETAILS**



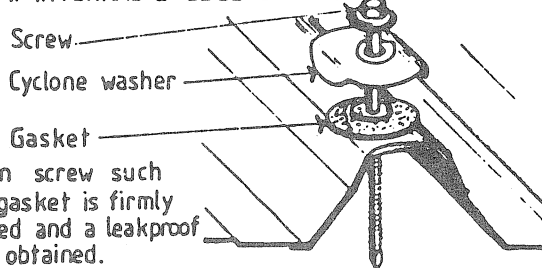
**CYCLONE WASHER DETAILS.**

NOTE:- Main: 6mm T.C.T. Al/Zn coated steel  
 to AS 1397-1984 or A2 200.  
 Gasket - Black E.P.D.M. 60-45 Durometer.

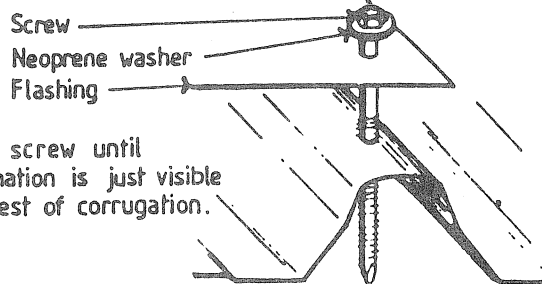


**CREST FIXING DETAILS.**

1. INTERNAL & EDGE SUPPORTS



2. RIDGE & HIP SUPPORT.



**FIXING SPECIFICATION**

Teks Self-drilling & tapping,  
 No. 14 x 65 with hex. head &  
 Ø 40 x 1.6 mm thick steel &  
 neoprene washers.

MANUF'S. - WOODROFFE SHEETMETAL Pty. Ltd. NAME  ADDRESS 1 TAMINGA STREET REGENCY PARK S.A. 5007  PHONE No. (08) 243 1144	FIXING OF: WOODROFFE "Hi-Rib" for Buildings up to 5m in height.  IN THE DARWIN AREA.	
	<b>DESIGN DATA SHEET</b>	
CERTIFIED <i>[Signature]</i> DATE 14/6/87	DEPARTMENT OF LANDS AND HOUSING APP'D. <i>[Signature]</i> DATE 6/87	DRAWING No. M/113/8