

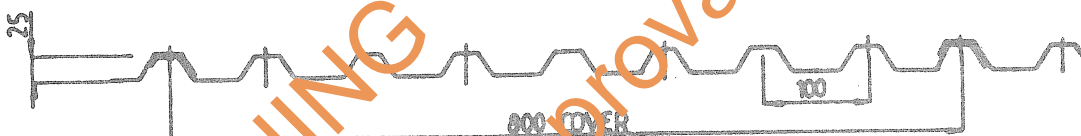
DESIGN WIND PRESSURE (kPa)

MATERIAL	INTERNAL SPAN			END SPAN		
	1200	1500	1800	900	1200	1500
Steel thickness 0.42 mm						
Screw fixed	4.35	3.13	1.91	4.35	3.13	1.91

NOTE :-

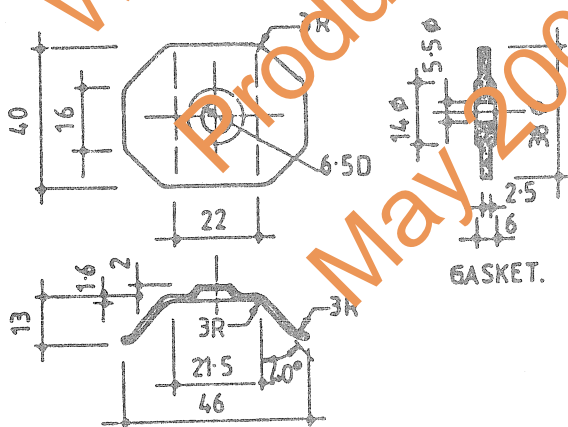
1. Linear interpolation may be carried out for pressures and spans not listed.

FIXING DETAILS.



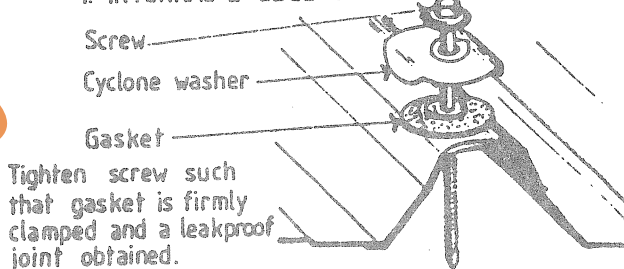
CYCLONE WASHER DETAILS

NOTE:- Make 6mm T.C.T. Al/Zn coated steel  
 to AS 1397-1984 or AZ 200.  
 Gasket - Black E.P.D.M. 40/45 Durometer.

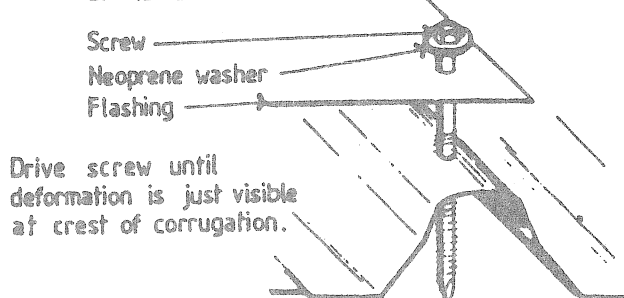


CREST FIXING DETAILS.

1. INTERNAL & EDGE SUPPORTS



2. RIDGE & HIP SUPPORT.



FIXING SPECIFICATION

Teks Self-drilling & tapping,  
 No. 14 x 45 with hex. head &  
 40 x 1.6 mm thick steel &  
 neoprene washers.

Fix through every side lap then  
 fix at every crest location.

MANUF'S. - WOODROFFE SHEETMETAL Pty. Ltd.  
 NAME

ADDRESS 1 TAMINGA STREET  
 REGENCY PARK  
 S.A. 5007

PHONE No. (08) 243 1144

FIXING OF: WOODROFFE "Hi-Span 800"  
 for Buildings up to 5m in height.

IN THE DARWIN AREA.

DESIGN DATA SHEET

CERTIFIED *[Signature]*

DATE 1/4/87

DEPARTMENT OF LANDS  
 AND HOUSING

APP'D. *[Signature]* DATE 6/87

DRAWING No.

M/113/24