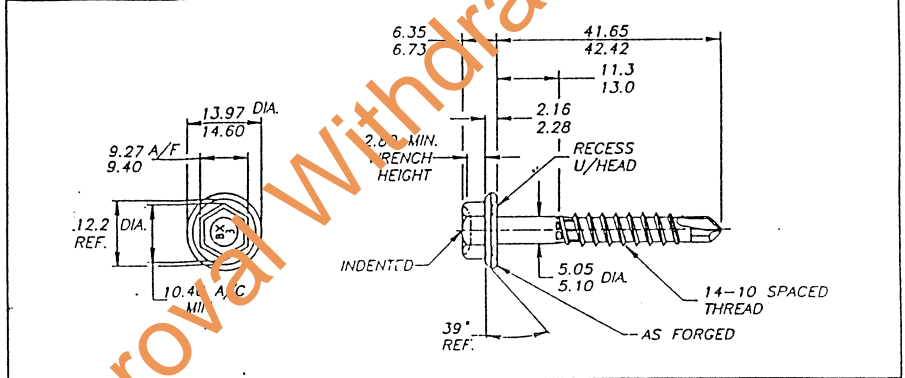
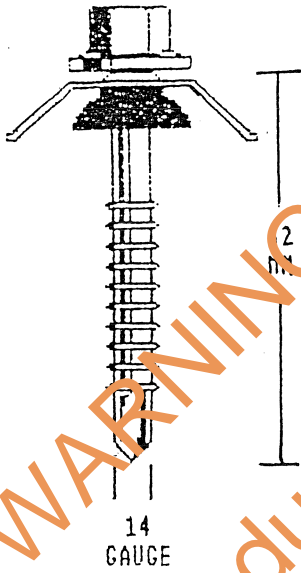


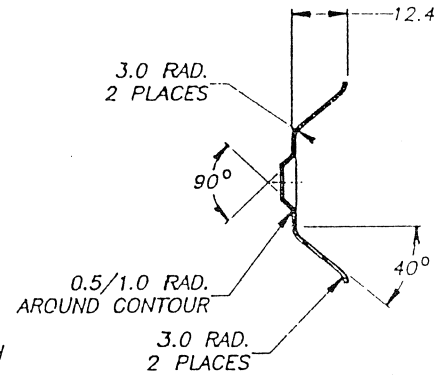
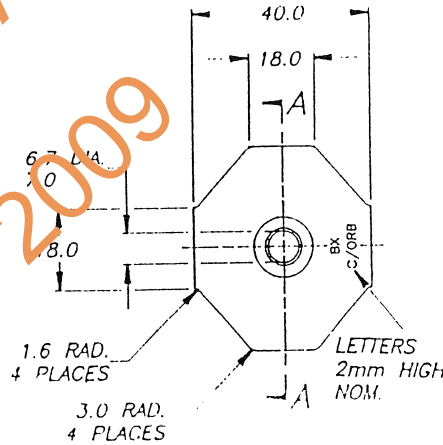
W.A. DEUTSCHER PTY. LTD.
 600 SOUTH ROAD (P.O. BOX 154)
 MOORABBIN, VICTORIA, AUSTRALIA 3188
ITW An Inmate Tool Works Company

W.A.D. PRODUCT SPECIFICATION
 14-10 X 42.0mm INDENTED HEX WASHER RECESSED
 NUTS WITH SHANK GUARD

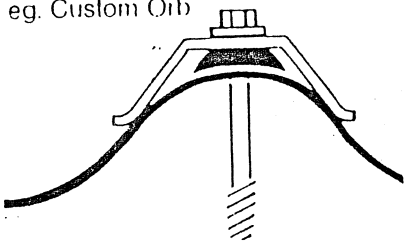


CONCENTRICITY:	MATERIAL: STEEL 1022
HEAD TO SHANK: 0.25 T.I.R. MAX	HEAT TREAT: SURFACE HARDNESS 540-650 HV 5kg. CORE HARDNESS
WASHER TO SHANK: 0.50 T.I.R. MAX	320-390 HV 20kg. CASE DEPTH 0.13-0.18 mm.
	FINISH: HOT DIPPED GALVANISED

WARNING
 Product Approval Withdrawn
 May 2009

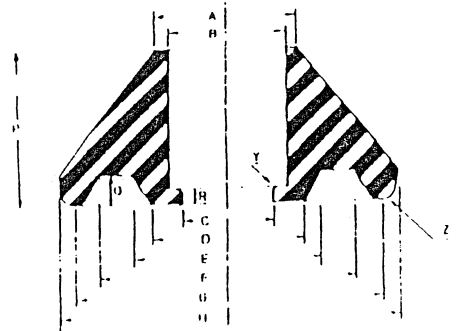


Corrugated
 eg. Custom Orb



	DIMENSION	SIZE
A	Top OD.	7.7mm
B	Top ID	6.5
C	Grip ID	5.0
D	Grip OD	8.2
E	Cavity ID	10.6
F	Cavity UD	14.0
G	Rim Dia.	16.6
H	OD.	18.5
P	OA Height	8.8
Q	Cavity Depth	1.7
R	Grip Height	0.9
X	Grip Radius	0.3
Y	Rim Radius	0.8

DESCRIPTION
 DEKSEAL EPDM CYCLONE WASHER
 No 14 GONE FOR CUSTOM ORB



MANUFACTURES NAME: W.A. DEUTSCHER PTY. LTD. 600 SOUTH ROAD MOORABBIN, VIC.	FIXINGS FOR CUSTOM ORB TO STEEL PURLINS. NORTHERN TERRITORY CYCLONIC AREAS.	
	DESIGN DATA SHEET	
APPROVED: <i>[Signature]</i> DATE: 4/2/91	DRAWING N°:	M/115/3