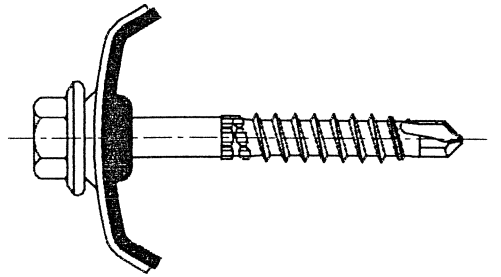
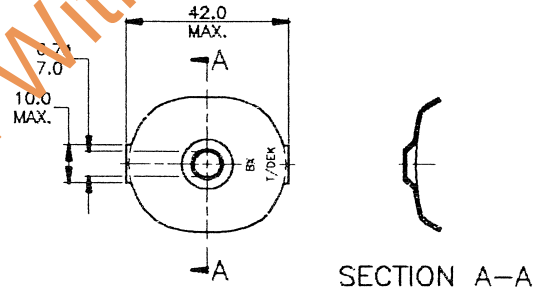
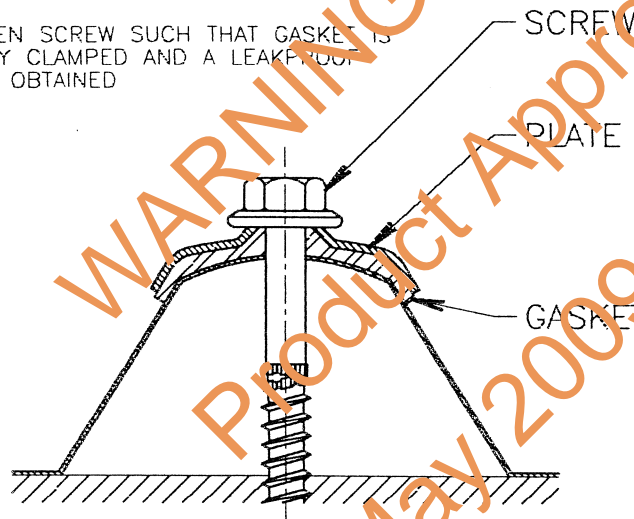


TRIMDEK/SPANDEK CYCLONE ASSEMBLY TEKS

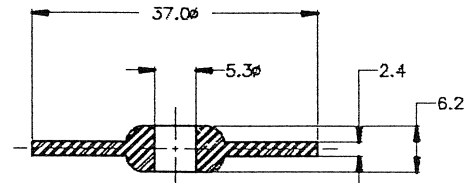


TIGHTEN SCREW SUCH THAT GASKET IS FIRMLY CLAMPED AND A LEAKPROOF JOINT OBTAINED

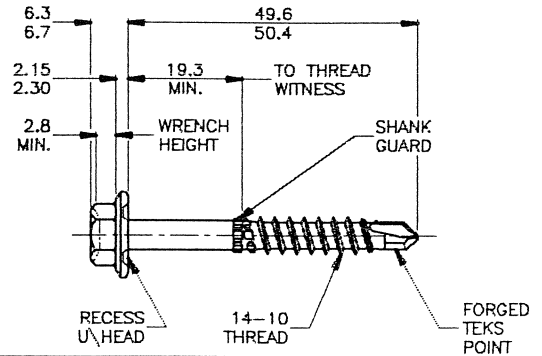
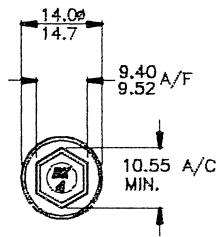


MATERIAL:	1.0mm STEEL STRIP TYPE G300 TO WAD. SPECIFICATION 10-11-02
FINISH:	50um ZINCALLOY TO ITW BUILDDEX SPECIFICATION 80QC-009

PLATE



GASKET



CONCENTRICITY	MATERIAL: STEEL 1022
HEAD TO SHANK: 0.25 T.I.R. MAX.	HEAT TREATMENT: CASE HARDEN
WASHER TO SHANK: 0.60 T.I.R. MAX.	FINISH: 50um ZINCALLOY TO ITW BUILDDEX SPECIFICATION 80QC-009

SCREW

14-10X50mm INDENTED HEX WASHER RECESSED TEKS WITH SHANK GUARD

Approved for inclusion in the N.T. D.T.C.

by: BAC *[Signature]* DATE *12/2/97*

ITW Buildex
a division of W. A. Deutscher.
600 South Road Moorabbin, Vic. 3189
Phone (03) 9555 6433 Fax (03) 9532 0693

COLLESS AND O'NEILL PTY LTD
CONSULTING CIVIL AND STRUCTURAL ENGINEERS

84 Woods Street, Darwin, N.T. 0800
Phone (089) 81 9644 ACN 009 622 968

CERTIFIED *[Signature]* DATE *7-2-'97*

DESIGN DATA SHEET

DARWIN CYCLONE AREA DRG. No.

APPD: *[Signature]*

DATE *12.2.97*

M/115/6