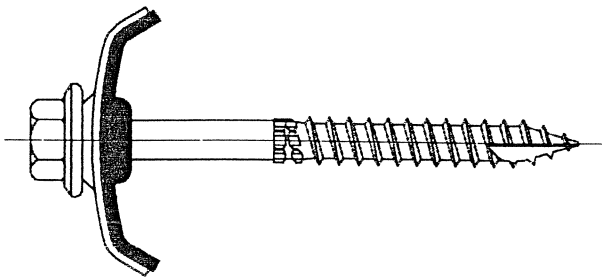
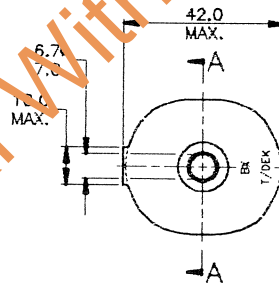
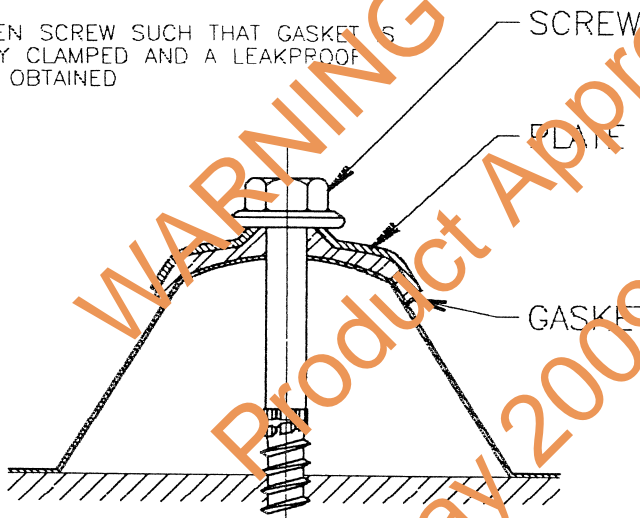


TRIMDEK/SPANDEK CYCLONE ASSEMBLY TY17



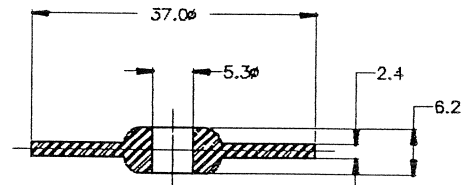
TIGHTEN SCREW SUCH THAT GASKET IS FIRMLY CLAMPED AND A LEAKPROOF JOINT OBTAINED



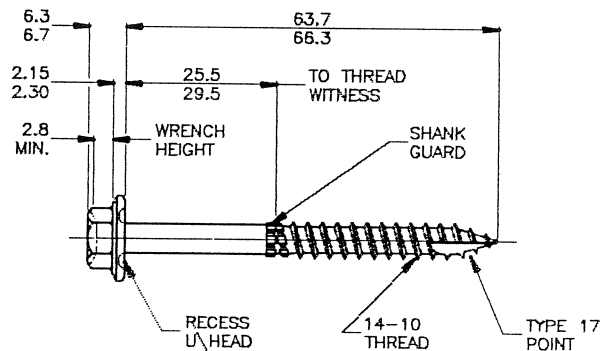
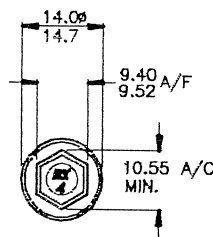
SECTION A-A

MATERIAL:	1.0mm STEEL STRIP TYPE G300 TO WAD. SPECIFICATION 10-11-02
FINISH:	50um ZINCALLOY TO ITW BUILDIX SPECIFICATION 80QC-009

PLATE



GASKET



CONCENTRICITY	MATERIAL: STEEL 1022
HEAD TO SHANK: 0.25 T.I.R. MAX.	HEAT TREATMENT: CASE HARDEN
WASHER TO SHANK: 0.60 T.I.R. MAX.	FINISH: 50um ZINCALLOY TO ITW BUILDIX
	SPECIFICATION 80QC-009

SCREW

14-10X65mm INDENTED HEX WASHER RECESSED
TYPE 17 WITH SHANK GUARD

Approved for inclusion in the N.T. D.T.C.
by: BAC *[Signature]* DATE 14/2/97

ITW Buildex
a division of W. A. Deutsher.
600 South Road Moorabbin, Vic. 3189
Phone (03) 9555 6433 Fax (03) 9532 0693

COLLESS AND O'NEILL PTY LTD
CONSULTING CIVIL AND STRUCTURAL ENGINEERS
84 Woods Street, Darwin, N.T. 0800
Phone (089) 81 9644 ACN 009 622 968
CERTIFIED *[Signature]* DATE 7-2-97

DESIGN DATA SHEET

DARWIN CYCLONE AREA		DRG. No.
APP'D <i>[Signature]</i>	DATE 12.2.97	M/115/12