

ALLOWABLE ROOF SPANS FOR 0.47mm TRIMCLAD FIXED WITH 40 x 33 x 1.0mm CYCLONE WASHERS

Location of fasteners - fix through all ribs at all supports

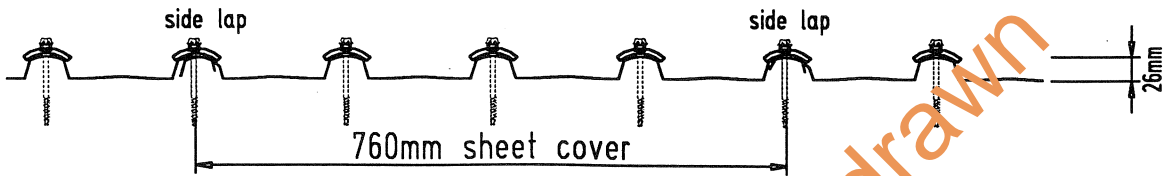


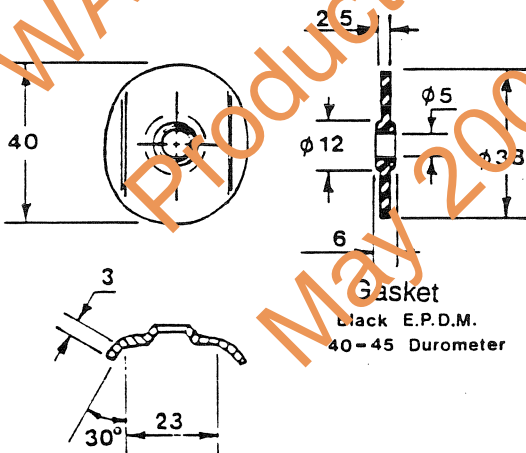
TABLE 1.

DESIGN WIND PRESSURE (kPa)		
SPAN	900	1200
End (mm.)	4.7	3.0
Internal (mm.)	5.8	3.7

NOTES ON TABLE 1.

The table of design wind pressure is to be used wherever cyclic load time criteria applies.
The data contained in table 1 is based on cyclic load criteria as defined by the Building Code of Australia N.T. Appendix.
Linear interpolation may be carried out for pressures and spans not listed.
The design wind pressure values of table 1 include the counteracting effect of the dead load of the sheeting.

CYCLONE WASHER²



Fixing to timber of strength groups J1, J2 or J3 of AS1720-1975 use type 17 self drilling screw. No. 14 x 65 mm. Use 14 x 75 mm for J4 timber.

Fixing to steel: Use type 17 self drilling screw no. 14-10 x 50 mm.

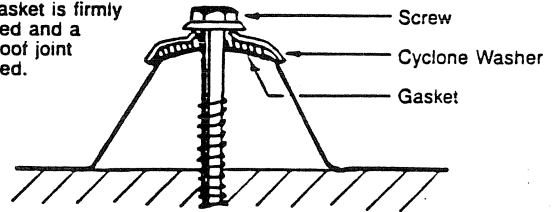
Steel Thickness	Predrill
1.6 mm to 2.5 mm	Ø 4.5 mm
2.5 mm to 5.0 mm	Ø 5.5 mm
5.0 mm to 10.0 mm	Ø 6.0 mm

NOTE: When fixing over insulation blanket, add 5 mm to screw lengths

ASSEMBLY OF FASTENERS

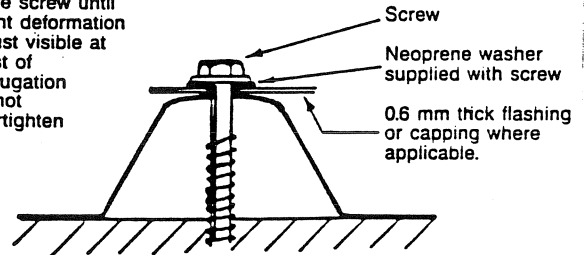
A. Internal and eaves supports

Tighten screw such that gasket is firmly clamped and a leakproof joint obtained.



B. Ridge, hip and valley support

Drive screw until slight deformation is just visible at crest of corrugation do not overtighten



Holes through interdek must be drilled
Do not use prick punch

GENERAL NOTES

- 0.47 mm total coated thickness (0.42 mm base) Al/Zn coated steel to AS1397-G550-AZ150. Supplied by John Lysaght Australia.
- Material for cyclone washer: 1.0 mm base thickness Al/Zn coated steel to AS1397-G350-Z430, or AZ200.

MANUF'S NAME **METCLAD METAL ROOFING AND CLADDING PTY LTD**

ADDRESS **LOT 1130 GEORGINA CR. PALMERSTON**
PHONE No. **(089) 32 2077**



IRWIN, JOHNSTON & PARTNERS (N.T.) ENGINEERS PTY. LTD. CONSULTING ENGINEERS
82 SMYTH STREET, DARWIN 0801
TEL (089)879 0171 FAX (089)814 010

CERTIFIED

M.I.E. AUST

FIXING OF Trimclad
. Roofing
IN THE DARWIN AREA

DESIGN DATA SHEET 2

DEPT. OF LANDS AND HOUSING
BUILDING AUTHORITY BRANCH

DRAWING. NO.

APP'D *[Signature]*

DATE **26-8-92**

M/121/4