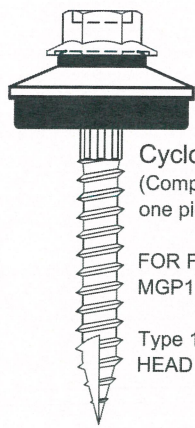
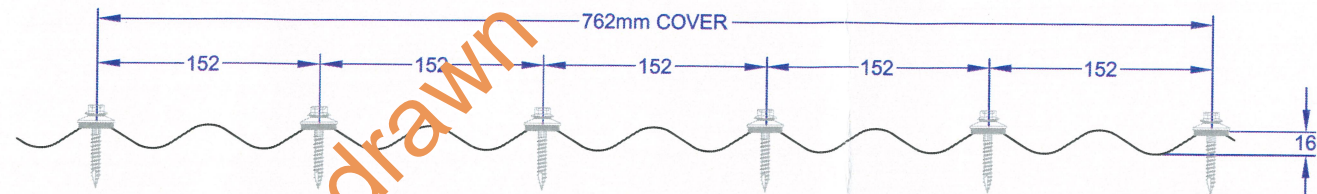


**IN ACCORDANCE WITH NCC VOLUME 2 ( SECTION P3.10.1), THIS PRODUCT SATISFIES PERFORMANCE REQUIREMENT P2.1.1 FOR CONSTRUCTION IN A HIGH WIND AREA**



**Cyclone Assembly**  
(Comprising of T17 Screw and one piece cyclone washer)  
FOR F14 HARDWOOD AND MGP10 TIMBER BATTENS  
Type 17 14-10X50  
HEAD MARK: P+

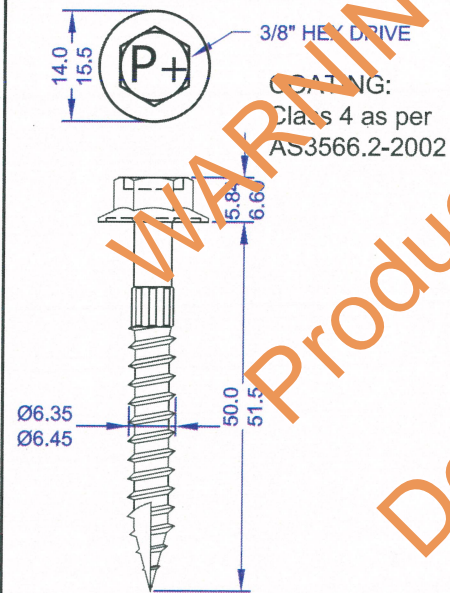
CORRUGATED ROOFING PROFILE - BlueScope Steel Lysaght CUSTOM ORB®  
LOCATION OF FIXINGS: Crest of Each Alternate Rib (152mm Centres)



The given capacities can be used for the tested or less spacing between supports (Sheeting Spans)

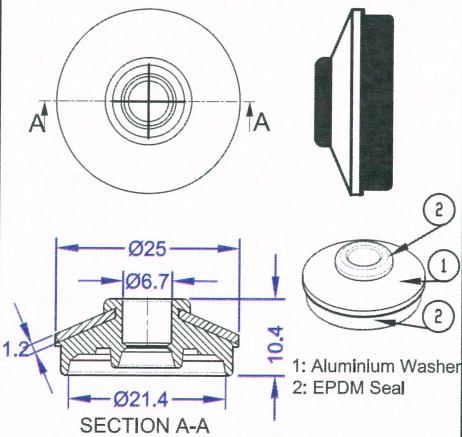
Cladding Profile	Cladding Thickness (mm)	Grade of Cladding	Screws fixed to SUPPORT material of	Screw Pitch (mm)	SPANS TESTED			Strength Design PRESSURE CAPACITY (kPa)	Strength Design Load PER SCREW (kN)	REPORT REF.
					End Span	Intermediate Span	End Span			
Corrugated (Custom Orb®)	0.42	G550	45x90 MGP10 Timber Batten	152	900	1200	900	4.20	0.71	PF005
Corrugated (Custom Orb®)	0.42	G550	50x75 F14 Timber (Hardwood) Batten	152	900	1200	900	4.20	0.71	PF007

TYPE 17 Screw: T17HCPC414050  
T17 14-10x50mm



WARNING  
Product Approval Withdrawn  
December 2020

PowerSeal Cyclone A25-14g One Piece Aluminium WASHER with EPDM seal



**Product Name:**  
Powers Cyclonic Assembly Roof Screw T17 14-10X50  
T17HCPC414050  
T17 14-10X50 - Cyclone Assembly

**Product Description:**  
810 - T17 Hex Cyclonic C4 14-10x50 and PowerSeal A25-14g Aluminium washer with EPDM seal  
COATING: Class 4 as per AS3566.2-2002

**Manufacturer's Name:**  
POWERS  
Factory 3, 205 Abbotts Road, Dandenong South VIC - 3175  
Phone: 03 87954600  
Fax: 03 87875899  
www.powers.com.au

**Design Criteria:**

- Testing carried out in accordance with the following standards:
  - AS 1562.1-1992: Design and installation of sheet roof and wall cladding - Metal
  - AS 4040.0 - 1992: Methods of testing sheet roof and wall cladding - Introduction, list of methods and general requirements
  - AS 4040.3 - 1992: Methods of testing sheet roof and wall cladding - Resistance to wind pressures for cyclone regions
- The given certified performance data is relevant to the design loads for steel roofs as per AS/NZS 1170 parts 0, 1 & 2.
  - Class of Building (BCA): 1 & 10
  - Building Importance Level (BCA Table B 1.2a): 2
  - Annual Probability of Exceedance for Wind (BCA Table 1.2b): 1 in 500
  - REGION: C
  - Regional ultimate wind speed  $V_R$  (m/s): 69.3m/s

**Limitations:**

- Screw and washer assemblies must be installed in accordance with manufacturer's specifications in the specified support material.
- This sheet provides technical data relevant to roof sheet, supports and screw assembly performance. The given data shall be used for design and / or installation of fixings to the roof sheeting by competent personnel.
- Designer to check the supporting battens have adequate capacity.
- Designer to check that the actual design wind pressure (including local pressure factors) is less than the capacity indicated in the table.
- Purlin or batten as described in the table is a limitation.

**ACCEPTED FOR INCLUSION**

DTCM ref.:

M/293/01

TEST DETAILS: The University of Adelaide, South Australia (Ref.: C111104 Test 5 & Test 7 dated 26/07/12)  
TEST SUMMARY REPORTS: PF005 and PF007 dated 16/01/13  
Strength Design is Ultimate Limit State as defined in Volume 2, Table 3.10.1, Note 1 of the National Construction Code Series 2015 (NCC, also known as the BCA: Volume 2: Part 3.10.1 - Class 1 and 10 buildings)  
The Pressure Capacities and Strength Design Loads per screw are based on testing in accordance with the Low-High-Low pressure sequence specified in Volume 2, Table 3.1 of the NCC 2015. The results achieved system compliance based on Ultimate Strength Limit loads as detailed in the test report. Product tested in accordance with the National Construction Code Series 2015 (NCC 2015) Standards: NCC 2015, AS1562.1-1992, AS4040.0-1992, AS4040.3-1992 (Please see Design Criteria section)

Checking Engineer's Certification:  
Name: *V. [Signature]*  
Registration Number: 214996  
Date: 19/10/15  
Signature: *[Signature]*  
"Registered as a structural engineer in Australia"

Certifying Engineer's Certification:  
Name: TREVOR JOHN  
NT Registration Number: 12170ES  
Date: 30.09.2015  
Signature: *[Signature]*  
"Registered as a structural engineer in Northern Territory"

Chairman's Signature: *[Signature]*  
Chairman's Name: PETER RUSSELL  
Date of Approval: 17-12-15  
Expiry Date: 17-12-20