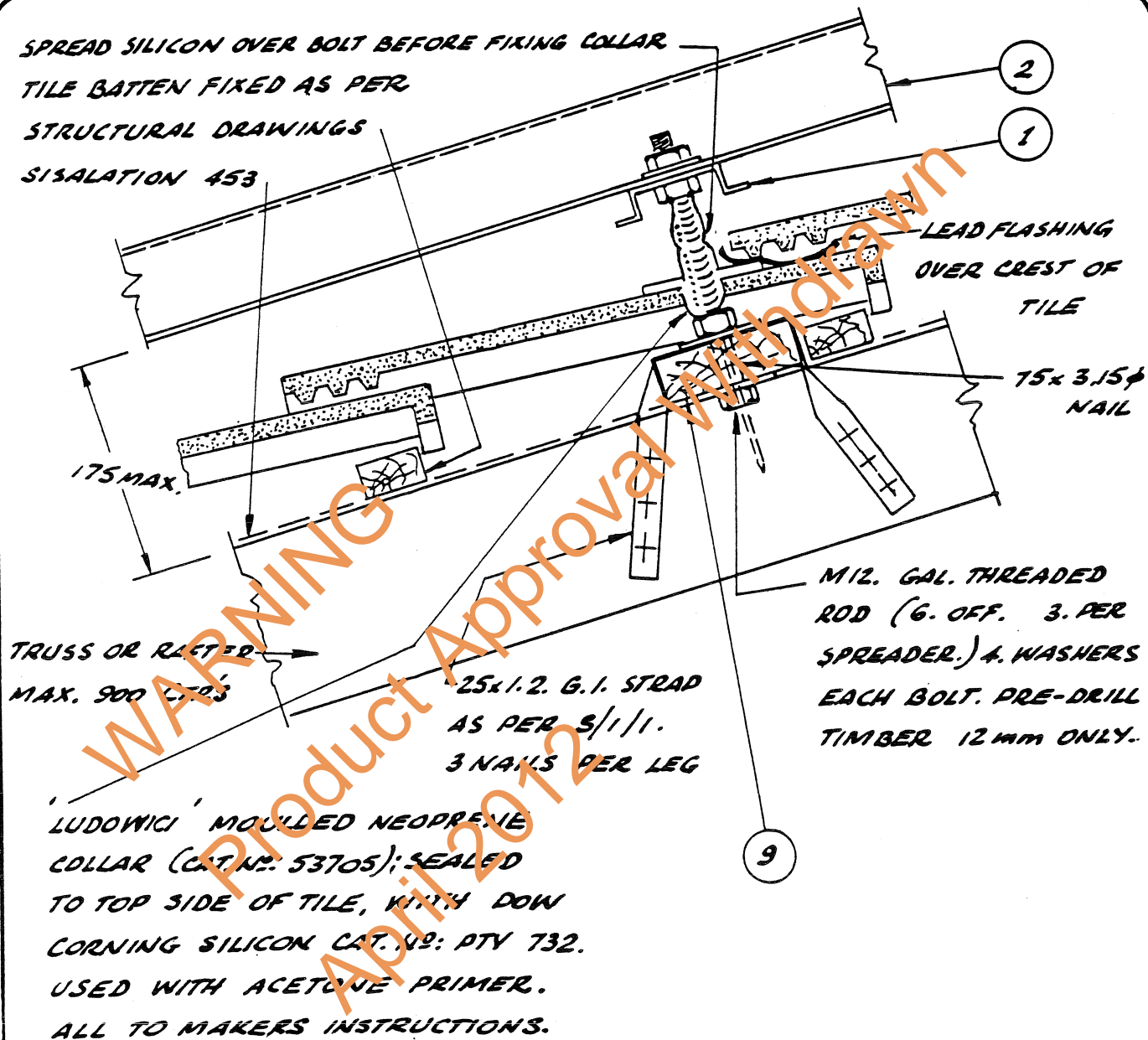


SPREAD SILICON OVER BOLT BEFORE FIXING COLLAR
 TILE BATTEN FIXED AS PER
 STRUCTURAL DRAWINGS
 SISALATION 453



ALTERNATIVE FIXING FOR TILED ROOFS

HEATER SHOULD BE LOCATED SUCH THAT M12 BOLTS ARE MINIMUM DISTANCE FROM TRUSS OR RAFTER, AND AT CREST OF TILES.

Colless & O'Neill
 Consulting Engineers Pty Ltd
 84, Woods Street, Darwin, N.T.
 Phone (089) 819644



WITH PITCH BRACKET FOR
 RHEEM HILINE WATER HEATERS

DESIGN DATA SHEET

CERTIFIED *[Signature]*
 DATE 6 JUNE 1986

DARWIN CYCLONE AREA
 APP'D. *[Signature]* MIE(AUSE) DATE 3/7/86

DWG.No.
 M/501/ 4