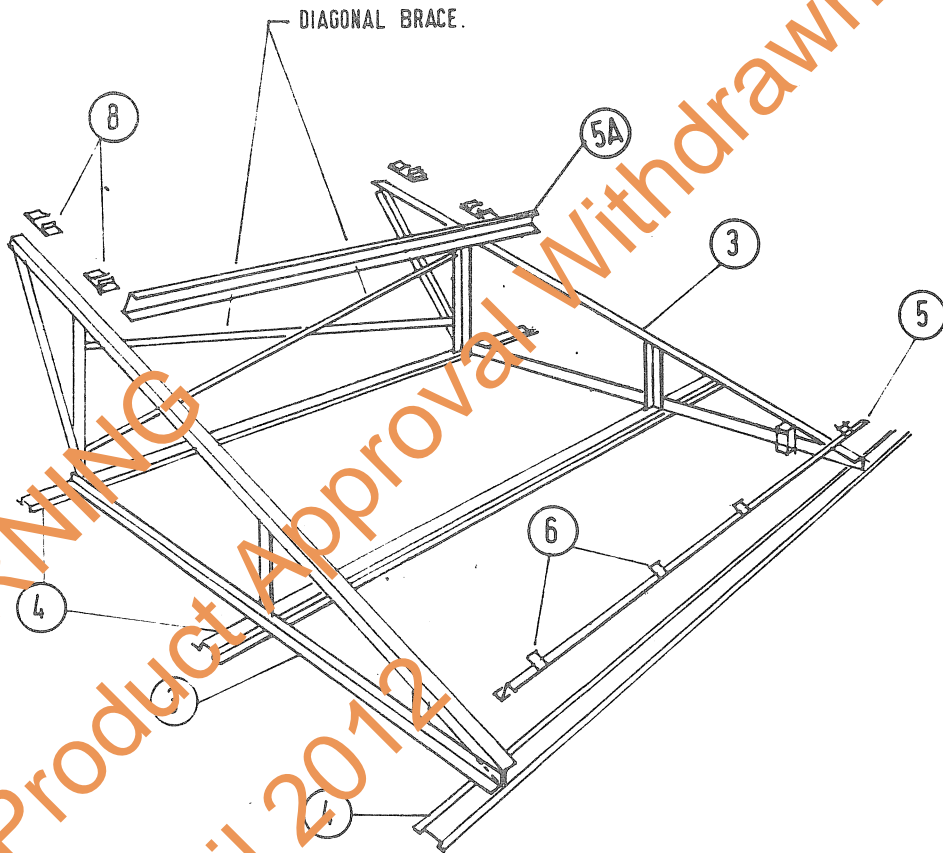


WARNING  
 Product Approval Withdrawn  
 April 2012



FRAME LAYOUT. (LOW PITCH INSTALLATION.)

NOTES ...

1. M.S. ANGLE SUPPORT FRAME TO BE FABRICATED FROM 38 x 38 x 3 L (GALV'D.) FULLY WELDED CONSTRUCTION.
2. DIAGONAL BRACE TO BE 25 x 25 x 3 L (GALV'D.) 1/8.0mm / Z.P. SET SCREW, NUT & WSH. EACH END.

SOLAHART PTY. LTD. 426 STUART HIGHWAY WINNELLIE. DARWIN. N.T. PH. (089) 84-4959.

Colless & Associates pty. Ltd. Consulting Engineers Darwin N.T. (089) 819644	FIXING FOR SOLAHART 300 LITRE H.W. HEATERS. LOW PITCH ROOFS.
<b>DESIGN DATA SHEET.</b>	
Certified <u>T. Chait</u> Date <u>26-6-84</u>	DARWIN CYCLONE AREA.
APP'D <u>MIE AUST</u>	DATE. <u>31-7-84</u>
DWG. N° <u>M/503/5</u>	