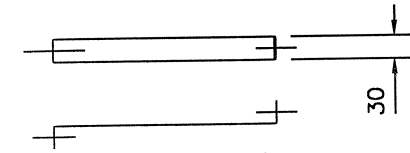
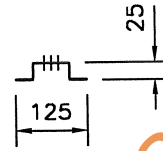
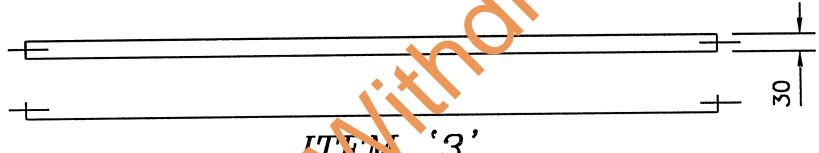


**ITEM '1'**  
PART N°: 4784



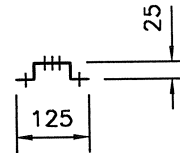
**ITEM '2'**  
PART N°: 2821



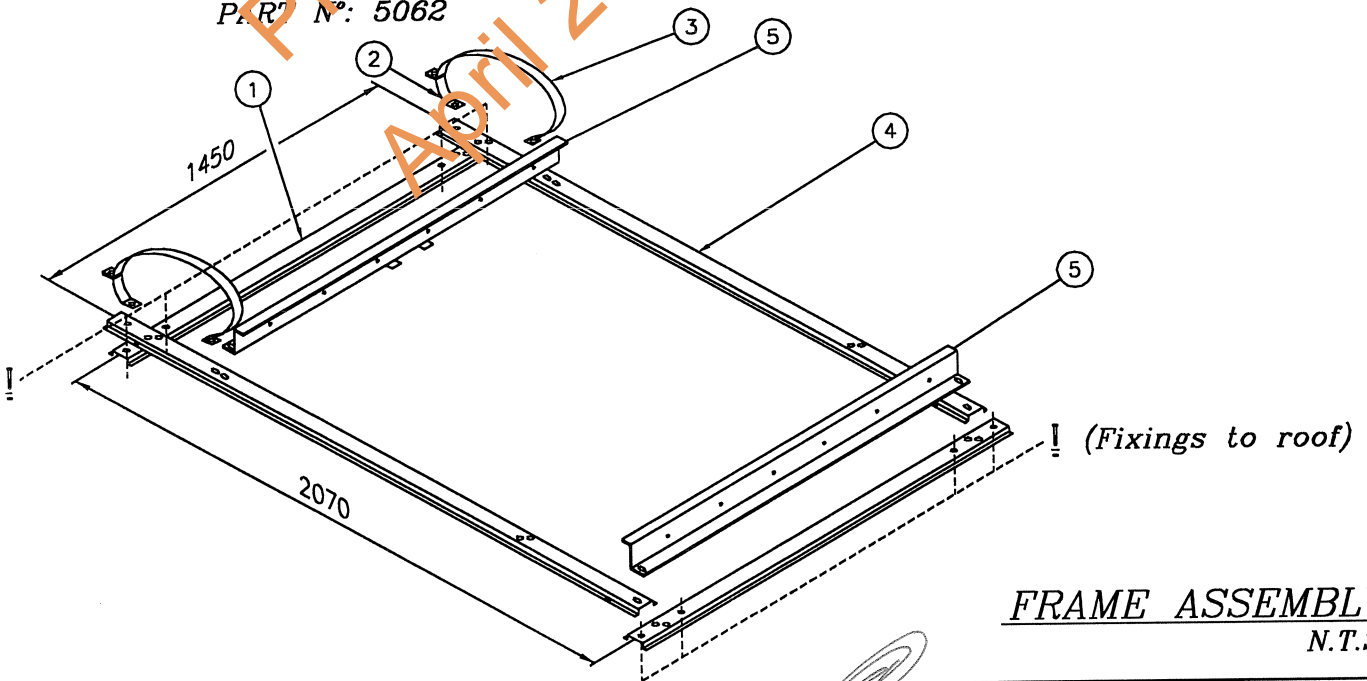
**ITEM '3'**  
PART N°: 2822



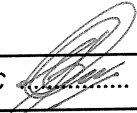
**ITEM '4'**  
PART N°: 4198



**ITEM '5'**  
PART N°: 5062



**FRAME ASSEMBLY**  
N.T.S.

APPROVED FOR INCLUSION IN THE N.T. DEEMED TO COMPLY BY BAC 

DATE 16/11/99

**EDWARDS ENERGY SYSTEMS PTY. LTD.**

109 VULCAN ROAD, CANNING VALE, WESTERN AUSTRALIA 6155 .  
PH: (08) 9334 4222 FAX: (08) 9334 4200

ALL INTELLECTUAL PROPERTY IN THIS DESIGN INCLUDING ANY PATENT, PATENT APPLICATION AND/OR DESIGN REGISTRATION AND/OR COPYRIGHT ARE THE PROPERTY OF EDWARDS ENERGY SYSTEMS PTY LTD. A.C.N. 008 676 613

L305 CYCLONE FRAME COMPONENTS  
STANDARD N.T.

DESIGN DATA SHEET

COLLESS AND O'NEILL PTY LTD  
CONSULTING CIVIL AND STRUCTURAL ENGINEERS

84 Woods Street, DARWIN, N.T. 0800  
Ph (08) 8981 9644 ACN 009 622 968

DARWIN CYCLONE AREA

APP'D.: 

DATE: 29.9.99

OUR REFERENCE:  
4516

REVISION: 2

DRAWING No.:

M/510/4

CERTIFIED:  DATE: 29/9/99