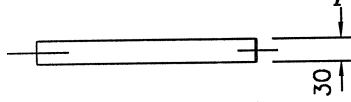
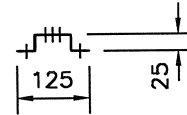


**ITEM '1'**  
PART N°: 4784



**ITEM '2'**  
PART N°: 2821

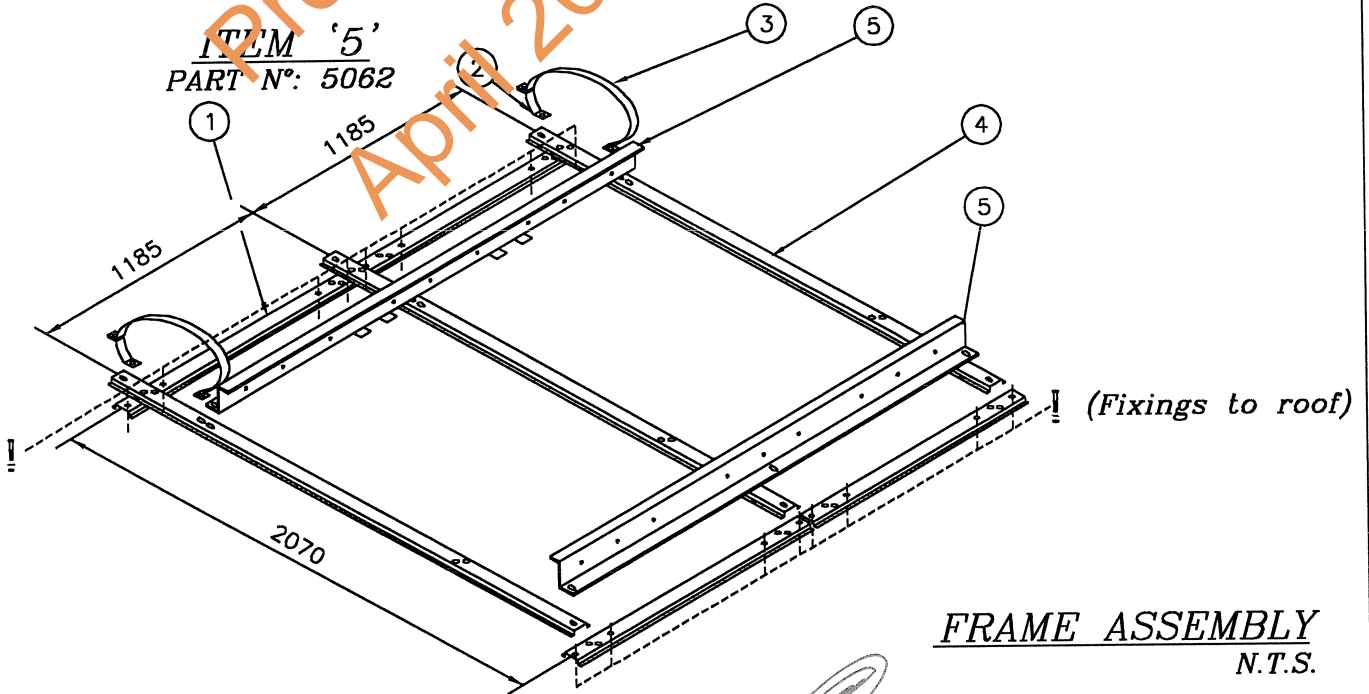
**ITEM '3'**  
PART N°: 2822



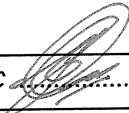
**ITEM '4'**  
PART N° 4198



**ITEM '5'**  
PART N°: 5062



**FRAME ASSEMBLY**  
N.T.S.

APPROVED FOR INCLUSION IN THE N.T. DEEMED TO COMPLY BY BAC 

DATE 16/11/99

**EDWARDS ENERGY SYSTEMS PTY. LTD.**  
109 VULCAN ROAD, CANNING VALE, WESTERN AUSTRALIA 6155 .  
PH: (08) 9334 4222 FAX: (08) 9334 4200

ALL INTELLECTUAL PROPERTY IN THIS DESIGN INCLUDING ANY PATENT, PATENT APPLICATION AND/OR DESIGN REGISTRATION AND/OR COPYRIGHT ARE THE PROPERTY OF EDWARDS ENERGY SYSTEMS PTY LTD. A.C.N. 008 676 613

L440 CYCLONE FRAME COMPONENTS  
STANDARD N.T.

DESIGN DATA SHEET

**COLLESS AND O'NEILL PTY LTD**  
CONSULTING CIVIL AND STRUCTURAL ENGINEERS  
84 Woods Street, DARWIN, N.T. 0800  
Ph (08) 8981 9644 ACN 009 622 968

CERTIFIED:  DATE: 29/9/99

DARWIN CYCLONE AREA

APP'D.: 

DATE: 29. 9. 99

OUR REFERENCE  
4517

REVISION: 2

DRAWING No.:

M/510/6