

### CYCLONE ASSEMBLY COMPONENTS

Comprising of self drilling screw & one piece cyclone washer

**VORTEX CYCLONE UNIVERSAL SCREW**  
 FOR METAL BATTENS, TIMBER BATTENS & STEEL PURLINS  
 M6.2-13 x 55mm

(HEAD MARKING B8, B8V)  
 All dimensions in mm (nominal)

Screws are Class 4 in accordance with AS3566

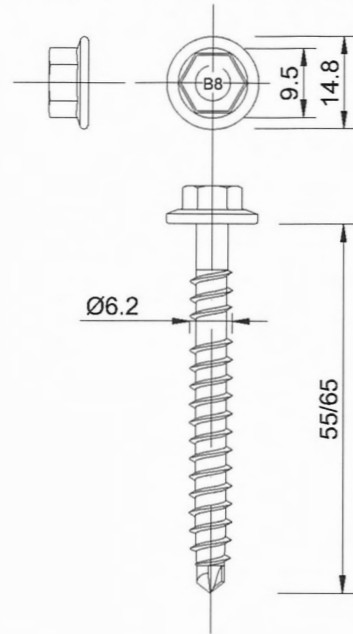
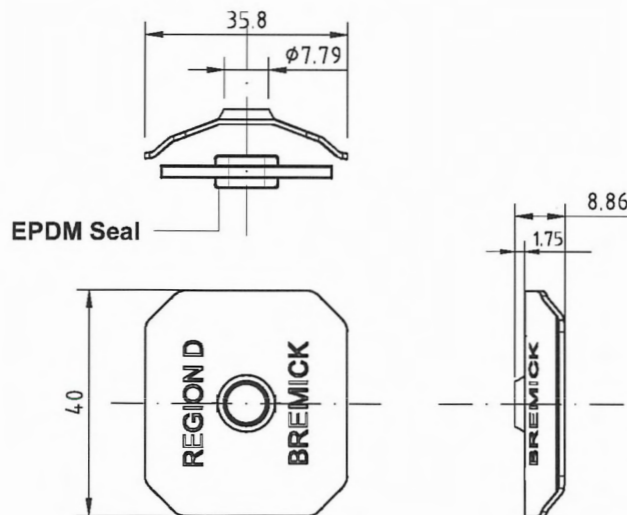
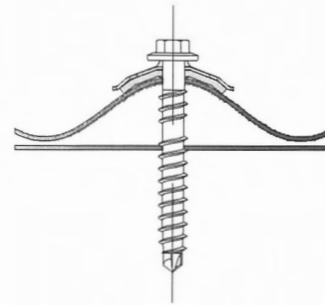


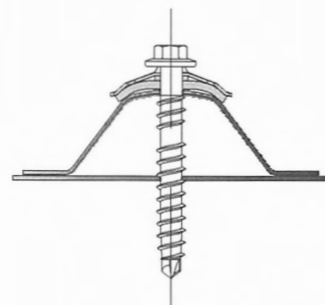
Plate Material: 1.00mm bmt G300/AZ150 Steel  
 (Suitable for Use in ISO 9223 Category 5 Environments)



**FASTENING:**  
 STEELINE CORRUGATED 762  
 0.42mm BMT G550 min.



**FASTENING TO:**  
 STEEL PURLINS  
 1.5mm BMT min. G450 min.  
 METAL BATTENS  
 0.75mm BMT min. G550 min.

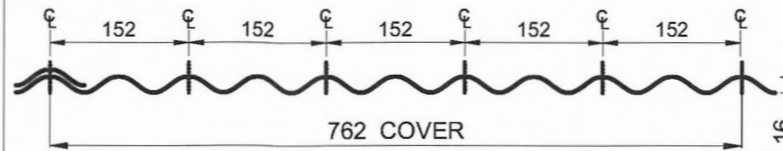


**FASTENING TO:**  
 STEEL PURLINS  
 1.5mm BMT min. G450 min.  
 METAL BATTENS  
 0.75mm BMT min. G550 min.

#### CORRUGATED ROOFING PROFILE - STEELINE CORRUGATED 762

##### FASTENER SPACINGS

Crest Fastener Locations : Alternate Ribs (152mm Centres)  
 Spans Tested : 900mm End, 1150mm Intermediate, 900mm End

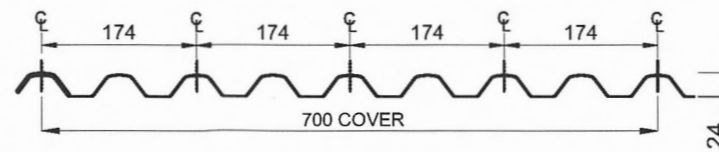


Supports	Crest Fixing
Steel Purlins G450 1.5mm BMT min.	Bremick Vortex™ Cyclone M6.2-13x55
Metal Battens 0.75mm BMT min.	Region D Cyclone Plate Assembly

#### SQUARE RIB ROOFING PROFILES - STEELINE STEEL SPAN 700

##### FASTENER SPACINGS

Crest Fastener Locations : Alternate Ribs (174mm Centres)  
 Spans Tested : 1200mm End, 1500mm Intermediate, 1200mm End



Supports	Crest Fixing
Steel Purlins G450 1.5mm BMT min.	Bremick Vortex™ Cyclone M6.2-13x55
Metal Battens 0.75mm BMT min.	Region D Cyclone Plate Assembly

Checking Engineer Name: LEO NOIKOS Registration Number: NER 70762 Date: 19.12.2025 Signature: [Signature] Must be an Australian registered structural engineer.	Certifying Engineer Name: RACHAEL ZEUNER NT Registration Number: 309710ES Date: 19.12.2025 Signature: [Signature] Must be a registered structural engineer in the Northern Territory.
--	--

Product Name  
**VORTEX REGION D CYCLONIC PLATE ASSEMBLY**

Product Description: Roofing Fasteners  
 M 6.2-13 x 55/65 - Region D Cyclone Plate Assembly with Steeline Profiles

Manufacturer's Details: **BREMICK Pty Ltd**  
 F1, 62 Maddox Street  
 Alexandria NSW 2015  
 Ph: 02 8332 1501  
 Email: sales@bremick.com.au

Design Criteria  
 Fastener & support spacing to be controlled such that the maximum design loading per fastener or maximum design pressures do not exceed:

Table 1 : Strength Limit State Design Loads per Fastener

Roofing Profile	Test Load ( kN )	C.O.V. ( K <sub>t</sub> )	Design Load ( kN )
Corrugated 762	1.13	1.38	0.82
Steel Span 700	1.08	1.38	0.78

Table 2 : Strength Limit State Design Pressures

Roofing Profile	Test Pressure ( kPa )	C.O.V. ( K <sub>t</sub> )	Design Capacity ( kPa )
Corrugated 762	5.00	1.38	3.62
Steel Span 700	4.15	1.38	3.01

Limitations  
 1.This sheet confirms the structural adequacy of the roof sheeting assembly ( sheeting, screw and washer ) when correctly installed and does not extend to the capacity of the batten/purlin. Refer to the sheeting & batten manufacturers data for maximum support spacings. Axial withdrawal capacity for each fastener exceeds the 3.1kN requirements of AS3566.1: 2002 - Self-drilling screws for building and construction industries - General requirements and mechanical properties. Strength limit state fastener loads have been derived from the test pressures using simplified static analysis with the uniform pressure (load) distribution.  
 2.Capacity of assembly pullover may be less than sheeting span capacity. Adjust sheeting spans accordingly.  
 3.The fastener is only applicable for use with Steeline cladding products with the conditions in this data sheet.

**Accepted for Inclusion in Deemed to Comply Manual**

DTCM drawing number: M/397/01-01

Chairperson Signature: [Signature]

Chairperson Name: Elisha Harris

Date of Approval: 27/10/2025      Expiry Date: 27/10/2030

Notes covering basis of DTC( Relevant test reports etc.)

JCU Cyclone Testing Station Report TS1367 Cyclic Simulated Wind Load Testing of Bremick Roofing Screw Assemblies Installed into Steeline Roof Cladding Profiles, 3 December 2024.