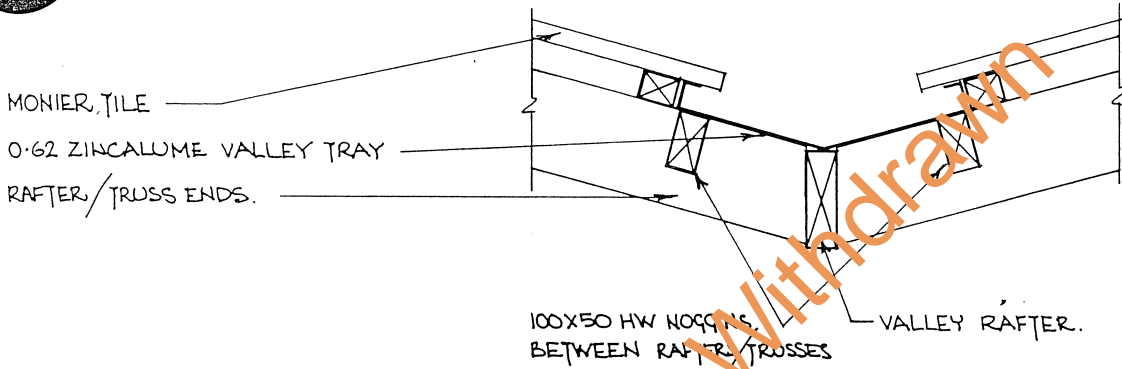
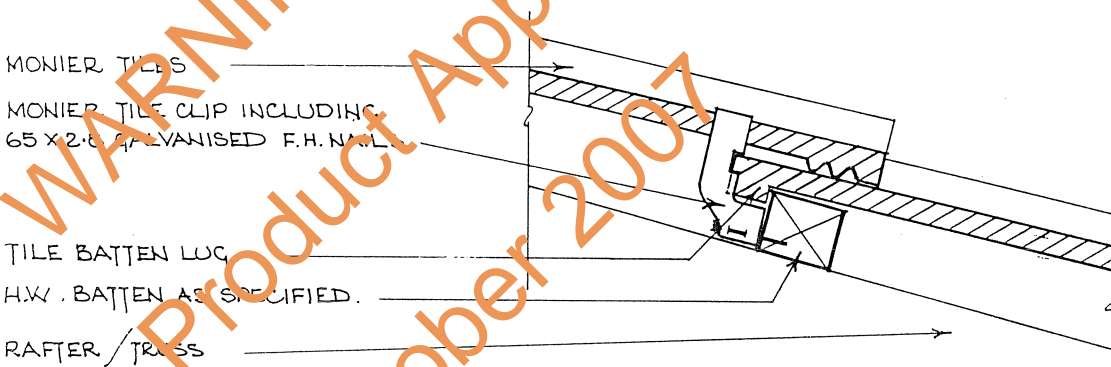




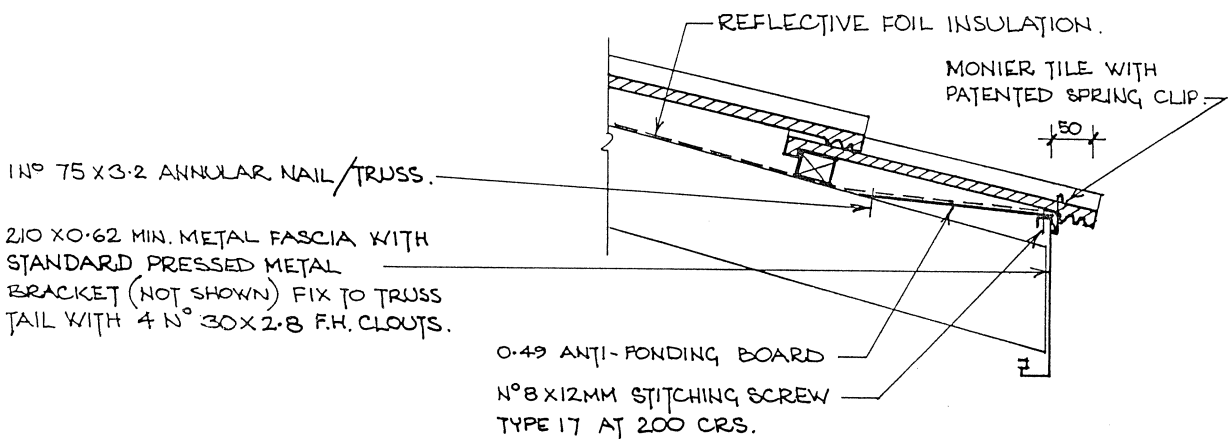
# VALLEY TRAY FIXING DETAILS.



## HEAVY DUTY TILE CLIP FIXING TO BATTENS



## EAVES DETAIL



**MAURICE KELLY & ASSOCIATES**  
 19 HIBERNIA CRESCENT, BRINKIN. N.T.  
 PHONE: 089-276818. FAX: 089-452093

**MONIER**  
**CONCRETE TILE FIXING DETAILS.**

**DESIGN DATA SHEET.**

CERTIFIED: *M. Kelly* M.I.E. AUST.  
 DATE: *18.10.90*

DARWIN CYCLONE AREA

DRAWING N°.

APP'D.

DATE.

*M/106/3*