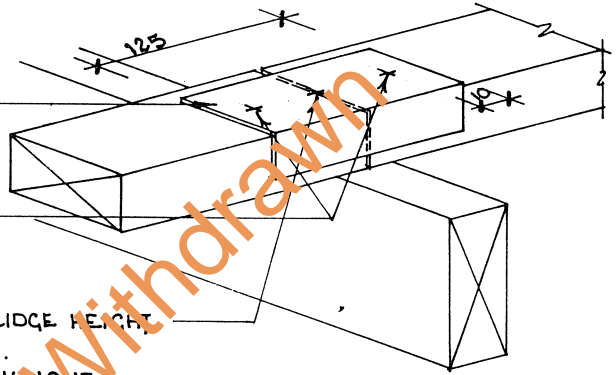




BATTEN TO BATTEN CONNECTION ANGLE.

38 X 25 X 1.0MM THICK GALVANISED
BATTEN CONNECTION ANGLE
125 LONG
2 N° 40MM X 2.5 F.H. CLOUTS



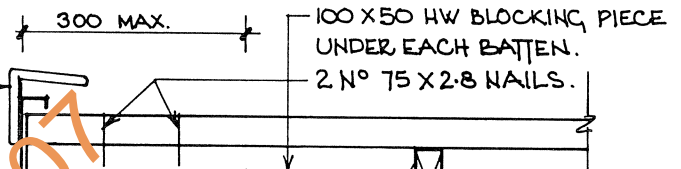
FOR TERRAIN CATEGORY 2½ TO 8M AND 2 UP TO 5M RIDGE HEIGHT
USE 3.2mm. Senco ANNULAR NAIL 75mm LONG.
FOR TERRAIN CATEGORY 2 - 5M TO 8M RIDGE HEIGHT
USE TYPE 17 N°10 WAFER HEAD SCREW 75mm LONG.

CABLE END FIXING.

110 X 110 X 250 GARGE TILE FIXED
TO BARGE WITH 2 N°10 X 45mm
WAFER TYPE 17 SCREWS PER TILE.

PRE FORMED METAL FASCIA AS REQUIRED.
ALTERNATIVE - HV FASCIA.

TIMBER STUD FRAMING TO CABLE END
BY OTHERS.



METAL CONNECTOR
PLATES. 10 CLOUTS
30 X 2.8 F/H

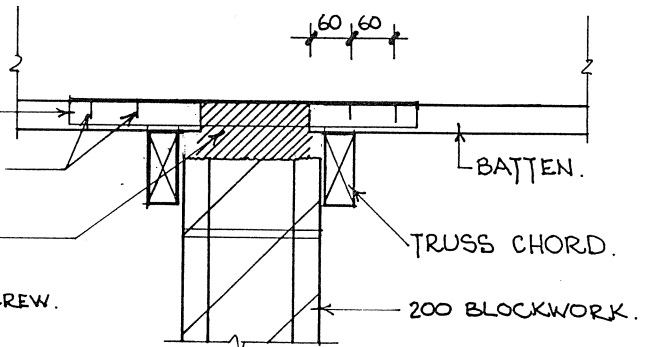
TRUSS FRAME
BY OTHERS.

FIXING OF TILES OVER INTERNAL FIRE RATED WALL.

50 X 25 X 1.6 MM THICK GALVANISED
BRIDGING ANGLE 450 LONG.
FIX TO BATTENS WITH 2 N°10 TYPE 17 X 25MM.
PAN HEAD SCREWS.

FIRE RATED BATTIS

FIX TILES TO ANGLE WITH 1 N°10 X 65 C.S.K. SCREW.



MAURICE KELLY & ASSOCIATES
19 HIBERNIA CRESCENT, BRINKIN. NT.
PHONE: 089-276818. FAX: 089-452093

MONIER
CONCRETE TILE FIXING DETAILS.
DESIGN DATA SHEET.

CERTIFIED: *M. Kelly* M.I.E. AUSTR.
DATE: *18.10.90*

DARWIN CYCLONE AREA

DRAWING N°

APP'D.

DATE

John C.

5/11/90

M/106/4