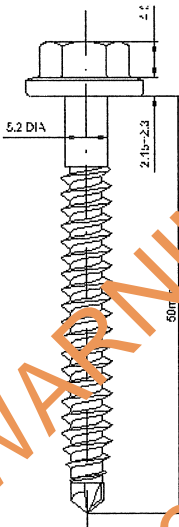
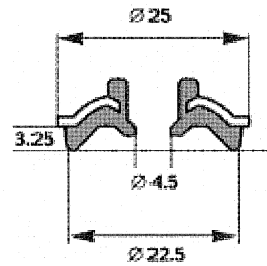


TRIMDEK BRA - CYCLONE PLATE WASHER & SEAL

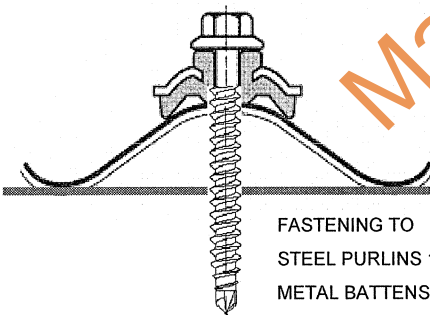


VORTEX CYCLONE UNIVERSAL SCREW
METAL BATTENS & STEEL PURLINS
M6.2-14X50
(HEAD MAKING BATTERY)



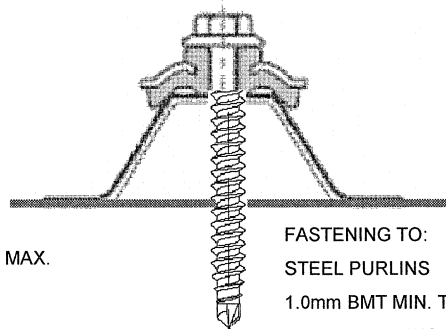
VORTEX CYCLONE ASSEMBLY IN APPLICATION
(VORTEX M6.2-14X50 WITH BRA CYCLONE WASHER)

FASTENING BSL CUSTOM ORB
ROOFING PROFILES 0.42mm BMT G550 MIN.



FASTENING TO
STEEL PURLINS 1.0mm BMT MIN. 3.0mm BMT MAX.
METAL BATTENS 0.75mm BMT MIN.

FASTENING BSL TRIMDEK
ROOFING PROFILES 0.42mm BMT G550 MIN.



FASTENING TO:
STEEL PURLINS
1.0mm BMT MIN. TO 3.0mm BMT MAX.
METAL BATTENS
0.75mm BMT MIN.

LIMITATIONS OF USE

THIS CYCLONE WASHER ASSEMBLY IS TO BE USED AS AN ALTERNATIVE FIXING METHOD FOR DTC SHEET NUMBERS: M/101/1, M/101/2, M101/15 & M101/16. THIS SHEET CONFIRMS THE STRUCTURAL ADEQUACY OF THE ROOF SHEETING ASSEMBLY (SHEETING , SCREW & WASHER), WHEN CORRECTLY INSTALLED, IN ACCORDANCE WITH BCANNT CYCLIC LOADING REQUIREMENTS AND DOES NOT EXTEND TO THE CAPACITY OF THE BATTEN / PURLIN. FASTENER & SUPPORT SPACING TO BE CONTROLLED SUCH THAT MAXIMUM PSD LOADING PER FASTENING ASSEMBLY DOES NOT EXCEED 0.7KN CUSTOM ORB AND 1.0 KN TRIMDEK. REFER TO SHEETING & BATTEN MANUFACTURERS DATA FOR MAXIMUM SUPPORT SPACINGS. AXIAL WITHDRAWAL CAPACITY FOR EACH FASTENER EXCEEDS THE REQUIREMENTS OF AS3566.1 (3.1KN STEEL & TIMBER). TESTED AND APPROVED TO THE NORTHERN TERRITORY DEEMED TO COMPLY REQUIREMENTS REF. BCA 3.10.1.0 (F). TESTING AUTHORITY BLUESCOPE STEEL TECHNOLOGY CENTRE, NATA ACCREDITATION NUMBER 2965 TEST CERTIFICATE NUMBERS : C640, C640 B, C642, C 642 A,



Unit F1, 62 Maddox Street
PO Box 6070, Alexandria, NSW 2015
Tel +61 02 9319 3777
Fax +61 02 9690 1474
www.bremick.com.au

VORTEX CYCLONE - BRA

UNIVERSAL SELF DRILLING CYCLONE ASSEMBLY FOR FASTENING BSL CUSTOM ORB & TRIMDEK ROOFING PROFILES TO STEEL PURLINS & METAL BATTENS

ENGINEERS CERTIFICATION

P. Russell 28/4/05
PETER RUSSELL CP Eng

DESIGN DATA SHEET

hllh 3.5.05 M/13611
BASB CONCURRED DATE DRAWING NUMBER