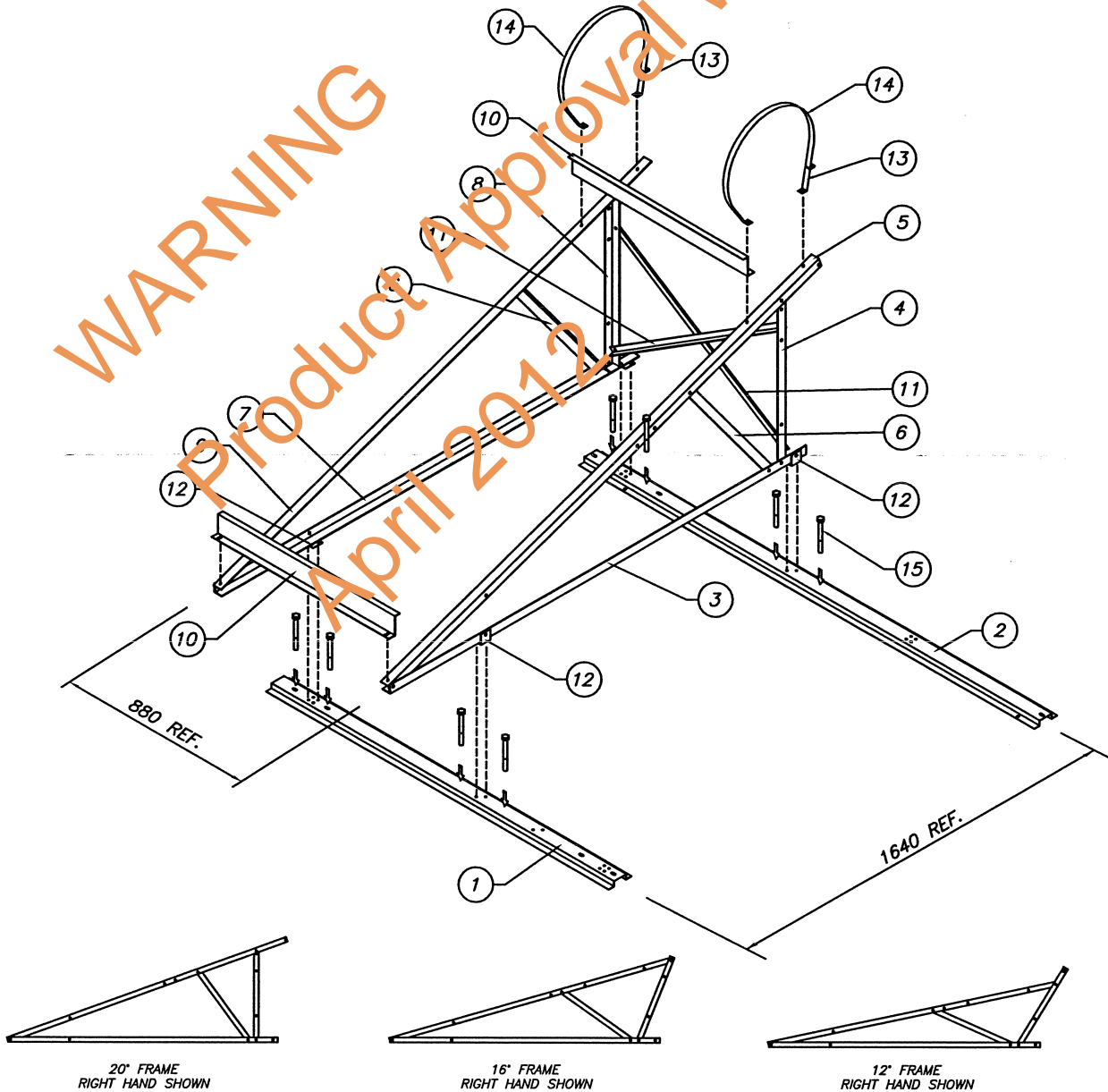


ITEM	DESCRIPTION	SIZE	STOCKCODE	QTY
1	ROOF TRAY 125x25x1.2 COLORBOND	1800	1010490	1
2	ROOF TRAY 125x25x1.2 COLORBOND	2400	1010491	1
3	FRAME ANGLE - BOTTOM - RIGHT HAND	2195	1016184	1
4	FRAME ANGLE - REAR - RIGHT HAND	743	1016182	1
5	FRAME ANGLE - TOP - RIGHT HAND	2386	1016185	1
6	FRAME BRACE	705	1016183	2
7	FRAME ANGLE - BOTTOM - LEFT HAND	2195	1016196	1
8	FRAME ANGLE - REAR - LEFT HAND	743	1016195	1
9	FRAME ANGLE - TOP - LEFT HAND	2386	1016197	1
10	Z - SECTION PANEL SUPPORT	930	1010056	2
11	DIAGONAL BRACE - 25x25x3	1115	1016198	2
12	ANGLE BRACKET	50x50x2.5	1010454	4
13	SHORT TANK STRAP	24 x 132	1016093-2	2
14	LONG TANK STRAP	24 x 1472	1016093-1	2
15	M10 GALV. BOLTS AND WASHERS	SEE NOTE	-	8

WARNING
Product Approval Withdrawn
April 2012



NOTE:
FOR ROOF FIXING DETAILS REFER TO DRAWINGS: 6454, 6455, 6456, 6457

**L180 ADJUSTABLE FRAME COMPONENTS
STANDARD PITCH ROOF - STANDARD N.T.**

KBR
Kellogg Brown & Root Pty Ltd
ABN 91 007 660 317
Reg. No. - KEES8332

OUR REFERENCE: 6445

REVISION: 0

DATE: 02 MAR 04



EDWARDS
-hot-weather-

EDWARDS HOT WATER PTY LTD,
109 VULCAN ROAD, CARBUNG VALE
WESTERN AUSTRALIA, 6155
POB #4118 6334 4222
FAX: +618 9334 4209
ABN 28 008 676 613

ALL INTELLECTUAL PROPERTY IN THIS DESIGN INCLUDING
ANY PATENT, PATENT APPLICATION AND/OR DESIGN
REGISTRATION AND/OR COPYRIGHT ARE THE PROPERTY OF
EDWARDS.

DESIGN DATA SHEET

18.6.04 M15742 Amdt.
BASB APPROVAL DATE DRAWING NUMBER.

Certified:

[Handwritten Signature]

Date: 10/6/04