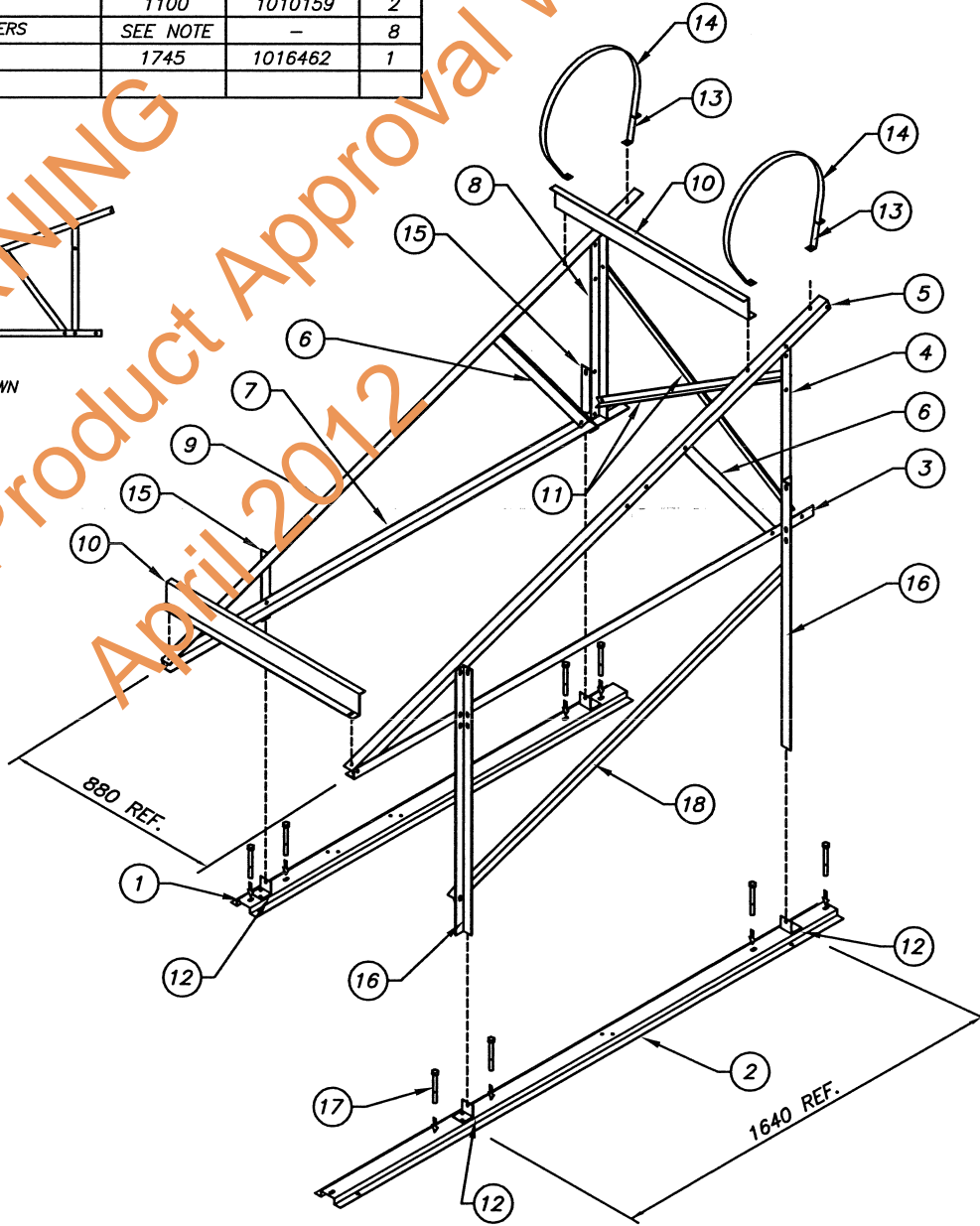
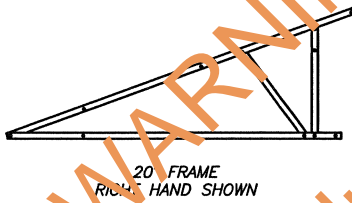


ITEM	DESCRIPTION	SIZE	STOCKCODE	QTY
1	ROOF TRAY - SHORT	1800	1010490	1
2	ROOF TRAY - LONG	2400	1010491	1
3	FRAME ANGLE - BOTTOM - RIGHT HAND	2195	1016184	1
4	FRAME ANGLE - REAR - RIGHT HAND	743	1016182	1
5	FRAME ANGLE - TOP - RIGHT HAND	2386	1016185	1
6	FRAME BRACE	705	1016183	2
7	FRAME ANGLE - BOTTOM - LEFT HAND	2195	1016196	1
8	FRAME ANGLE - REAR - LEFT HAND	743	1016195	1
9	FRAME ANGLE - TOP - LEFT HAND	2386	1016197	1
10	Z - SECTION PANEL SUPPORT	930	1010056	2
11	DIAGONAL BRACE - 25x25x3	1115	1016198	2
12	ANGLE BRACKET - 50x50x2.5	50	1010454	4
13	SHORT TANK STRAP	24x132	1016093-2	2
14	LONG TANK STRAP	24x1472	1016093-1	2
15	SHORT LEG BRACKET 40x40x3	260	1010160	2
16	LONG LEG BRACKET 40x40x3	1100	1010159	2
17	M10 GALV. BOLTS AND WASHERS	SEE NOTE	-	8
18	DIAGONAL BRACE - 25x25x3	1745	1016462	1



NOTE:
FOR ROOF FIXING DETAILS REFER TO DRAWINGS: 6454, 6455, 6456, 6457.

KBR
Kellogg Brown & Root Pty Ltd
ABN 91 007 660 317
Reg. No. - KEES8332

**L180 ADJUSTABLE FRAME COMPONENTS
SIDE PITCH ROOF - STANDARD N.T.**

OUR REFERENCE: 6446

REVISION: 0

DATE: 02 MAR 04



EDWARDS HOT WATER CITY LTD.
109 WALCOTT ROAD, CHAMBERLAIN VALE
WESTERN AUSTRALIA 6155
PH: +618 9334 4222
FAC: +618 9334 4200
ABN 28 008 676 613

DESIGN DATA SHEET

10.6.04

M/S14/3 Amdt.

BASB APPROVAL

DATE

DRAWING NUMBER.

Certified:

[Signature]

Date: 10/6/04

EDWARDS
hot water

ALL INTELLECTUAL PROPERTY IN THIS DESIGN INCLUDING ANY PATENTS, PATENT APPLICATION AND/OR DESIGN REGISTRATION AND/OR COPYRIGHT ARE THE PROPERTY OF EDWARDS.