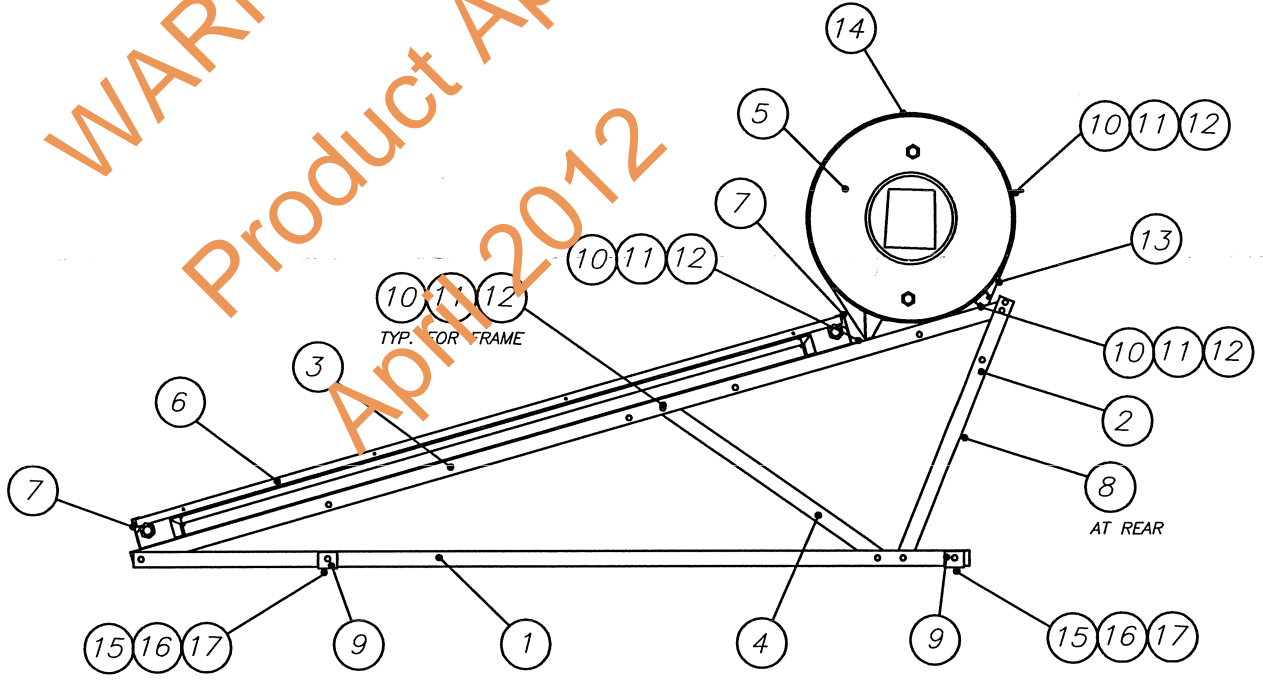


- 1 FRAME ANGLE – BOTTOM – L&R HAND 40x40x3 GALV. STEEL
- 2 FRAME ANGLE – REAR – L&R HAND 40x40x3 GALV. STEEL
- 3 FRAME ANGLE – TOP – L&R HAND 40x40x3 GALV. STEEL
- 4 FRAME BRACE 40x40x3 GALV. STEEL
- 5 STORAGE TANK 305 LITRE
- 6 SOLAR COLLECTOR PANEL
- 7 Z – SECTION PANEL SUPPORT 155x89x2.5THK GALV. STEEL
- 8 DIAGONAL BRACE – 25x25x3 GALV. STEEL
- 9 ANGLE BRACKET – 50x50x2.5 GALV. STEEL
- 10 M8 304 SS HEX SET SCREW
- 11 M8 304 SS HEX NUT
- 12 M8 I.D. 304 SS FLAT WASHER
- 13 SHORT TANK STRAP 24x132x1.2thk 304 SS
- 14 LONG TANK STRAP 24x147x1.2thk 304 SS
- 15 M6 304 SS HEX SCREW
- 16 M6 304 SS HEX NUT
- 17 M6 I.D. 304 SS FLAT WASHER

WARNING
 Product Approval Withdrawn
 April 2012



ADJUSTABLE FRAME SET AT 16°
 RIGHT HAND SHOWN
 Not to Scale

NOTE:

- 1. FOR ROOF FIXING DETAIL – REFER TO DRAWINGS 6454, 6455, 6456, 6457
- 2. ROOF FRAME CONFIGURATION DEPENDS UPON INSTALLATION APPLICATION. REFER TO THE FRAME ASSEMBLY DRAWINGS: 6448, 6449, 6450.
- 3. DESIGN FOR WIND REGION C CAT 2.0 MAX HEIGHT = 10m TO AS1170.2

<p style="text-align: center;">KBR Kellogg Brown & Root Pty Ltd ABN 91 007 660 317 Reg. No. - KEES8332</p> <p>Certified: Date: 10/6/04</p>	L305 ADJUSTABLE FRAME GENERAL ASSEMBLY AND TANK LOCATION - STANDARD N.T.		
	OUR REFERENCE: 6460	REVISION: 0	DATE: 02 MAR 04
	<p>DESIGN DATA SHEET</p> <p>EDWARDS HOT WATER PTY LTD. 109 VULCAN ROAD, CANNING VALE WESTERN AUSTRALIA 6155 PH: +618 9334 4222 FAX: +618 9334 4220 ABN 28 008 676 913</p> <p>ALL INTELLECTUAL PROPERTY IN THIS DESIGN INCLUDING ANY PATENT, PATENT APPLICATION AND/OR DESIGN REGISTRATION AND/OR COPYRIGHT ARE THE PROPERTY OF EDWARDS.</p> <p> EDWARDS <i>hot water</i></p>		
BASB APPROVAL		DATE	DRAWING NUMBER.