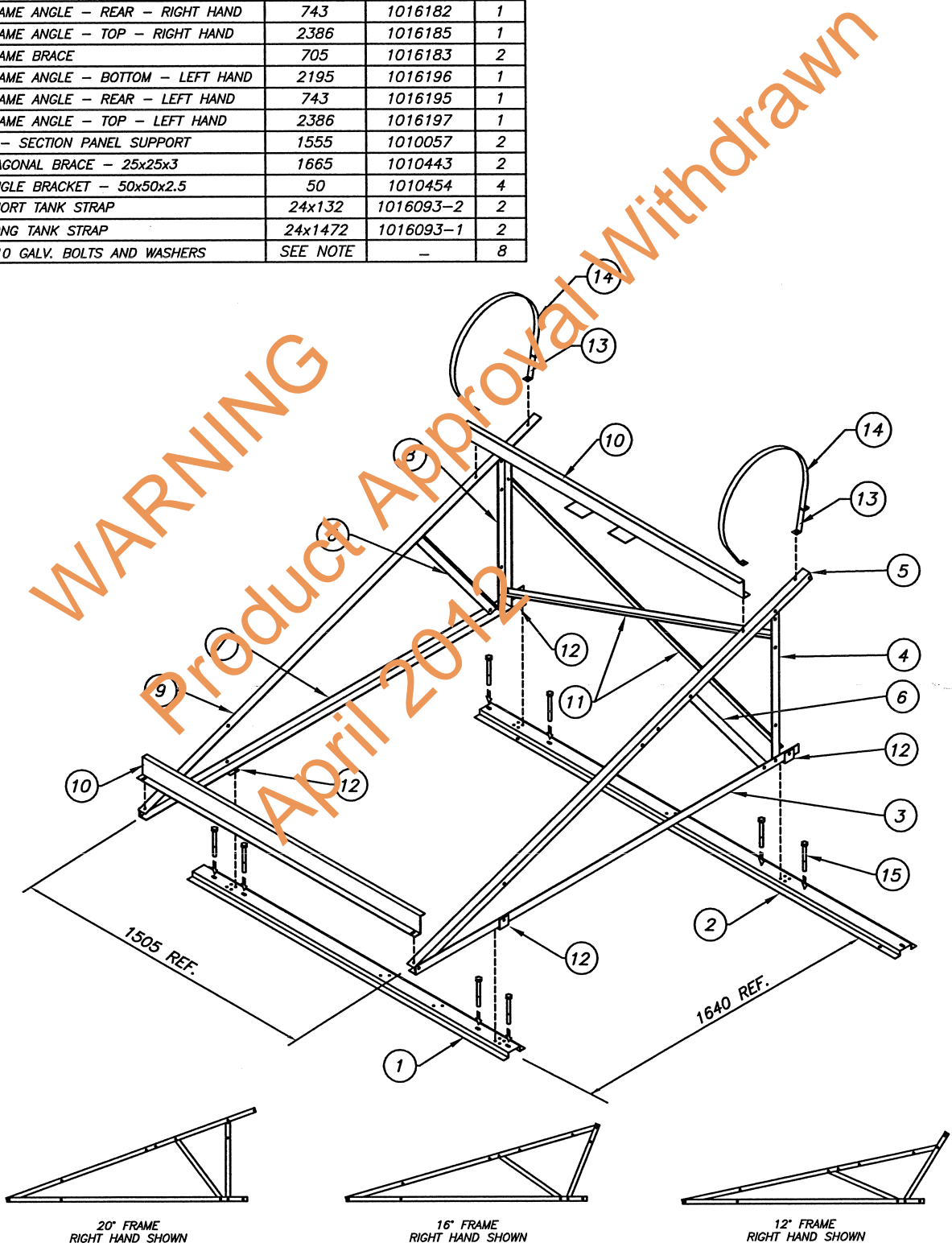


ITEM	DESCRIPTION	SIZE	STOCKCODE	QTY
1	ROOF TRAY - SHORT	1800	1010490	1
2	ROOF TRAY - LONG	2400	1010491	1
3	FRAME ANGLE - BOTTOM - RIGHT HAND	2195	1016184	1
4	FRAME ANGLE - REAR - RIGHT HAND	743	1016182	1
5	FRAME ANGLE - TOP - RIGHT HAND	2386	1016185	1
6	FRAME BRACE	705	1016183	2
7	FRAME ANGLE - BOTTOM - LEFT HAND	2195	1016196	1
8	FRAME ANGLE - REAR - LEFT HAND	743	1016195	1
9	FRAME ANGLE - TOP - LEFT HAND	2386	1016197	1
10	Z - SECTION PANEL SUPPORT	1555	1010057	2
11	DIAGONAL BRACE - 25x25x3	1665	1010443	2
12	ANGLE BRACKET - 50x50x2.5	50	1010454	4
13	SHORT TANK STRAP	24x132	1016093-2	2
14	LONG TANK STRAP	24x1472	1016093-1	2
15	M10 GALV. BOLTS AND WASHERS	SEE NOTE	-	8



NOTE:
FOR ROOF FIXING DETAILS REFER TO DRAWINGS: 6454, 6455, 6456, 6457.

KBR Kellogg Brown & Root Pty Ltd ABN 91 007 660 317 Reg. No. - KEES8332	L305 ADJUSTABLE FRAME COMPONENTS STANDARD PITCH ROOF - STANDARD N.T.		
	OUR REFERENCE: 6448	REVISION: 0	DATE: 02 MAR 04
	Certified: Date: 10/6/04	 EDWARDS <small>hot water</small>	