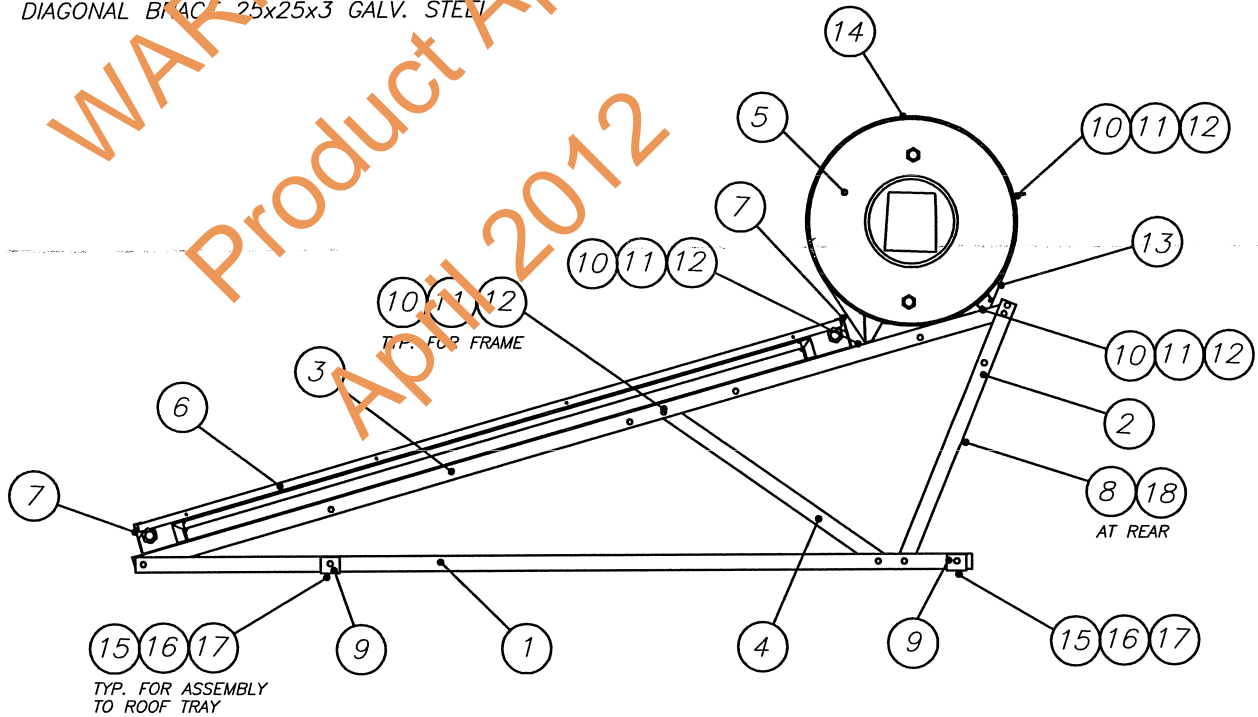


- 1 FRAME ANGLE - BOTTOM - L&R HAND 40X40X3 GALV. STEEL
- 2 FRAME ANGLE - REAR - L&R HAND 40x40x3 GALV. STEEL
- 3 FRAME ANGLE - TOP - L&R HAND 40x40x3 GALV. STEEL
- 4 FRAME BRACE 40x40x3 GALV. STEEL
- 5 STORAGE TANK 440 LITRE
- 6 SOLAR COLLECTOR PANELS
- 7 Z - SECTION PANEL SUPPORT 2420x89x2.5thk GALV. STEEL
- 8 DIAGONAL BRACE - 25x25x3 GALV. STEEL
- 9 ANGLE BRACKET - 50x50x2.5 GALV. STEEL
- 10 M8 304 SS HEX SET SCREW
- 11 M8 304 SS HEX NUT
- 12 M8 I.D. 304 SS FLAT WASHER
- 13 SHORT TANK STRAP 24x132x1.2thk 304 SS
- 14 LONG TANK STRAP 24x1472x1.2thk 304 SS
- 15 M6 304 SS HEX SCREW
- 16 M6 304 SS HEX NUT
- 17 M6 I.D. 304 SS FLAT WASHER
- 18 DIAGONAL BRACE - 25x25x3 GALV. STEEL

WARNING  
 Product Approval Withdrawn  
 April 2012



ADJUSTABLE FRAME SET AT 16°  
 RIGHT HAND SHOWN  
 Not to Scale

NOTE:

1. FOR ROOF FIXING DETAIL - REFER TO DRAWINGS 6454, 6455, 6456, 6457
2. ROOF FRAME CONFIGURATION DEPENDS UPON INSTALLATION APPLICATION. REFER TO THE FRAME ASSEMBLY DRAWINGS: 6451, 6452, 6453.
3. DESIGN FOR WIND REGION C CAT 2.0 MAX HEIGHT = 10m TO AS1170.2

**KBR**  
 Kellogg Brown & Root Pty Ltd  
 ABN 91 007 660 317  
 Reg. No. - KEE58332

Certified:

Date: 12/6/04

**L440 ADJUSTABLE FRAME GENERAL ASSEMBLY  
 AND TANK LOCATION - STANDARD N.T.**

OUR REFERENCE: 6461

REVISION: 0

DATE: 02 MAR 04



EDWARDS HOT WATER PTY LTD  
 159 VULCAN ROAD, CHANNING VALE  
 WESTERN AUSTRALIA, 6155  
 PIC: +618 9334 4222  
 FAX: +618 9334 4200  
 AWH 28 008 678 613

**DESIGN DATA SHEET**

*Handwritten signature and date*  
 BASB APPROVAL DATE

M/S14/9 Amdt.  
 DRAWING NUMBER.