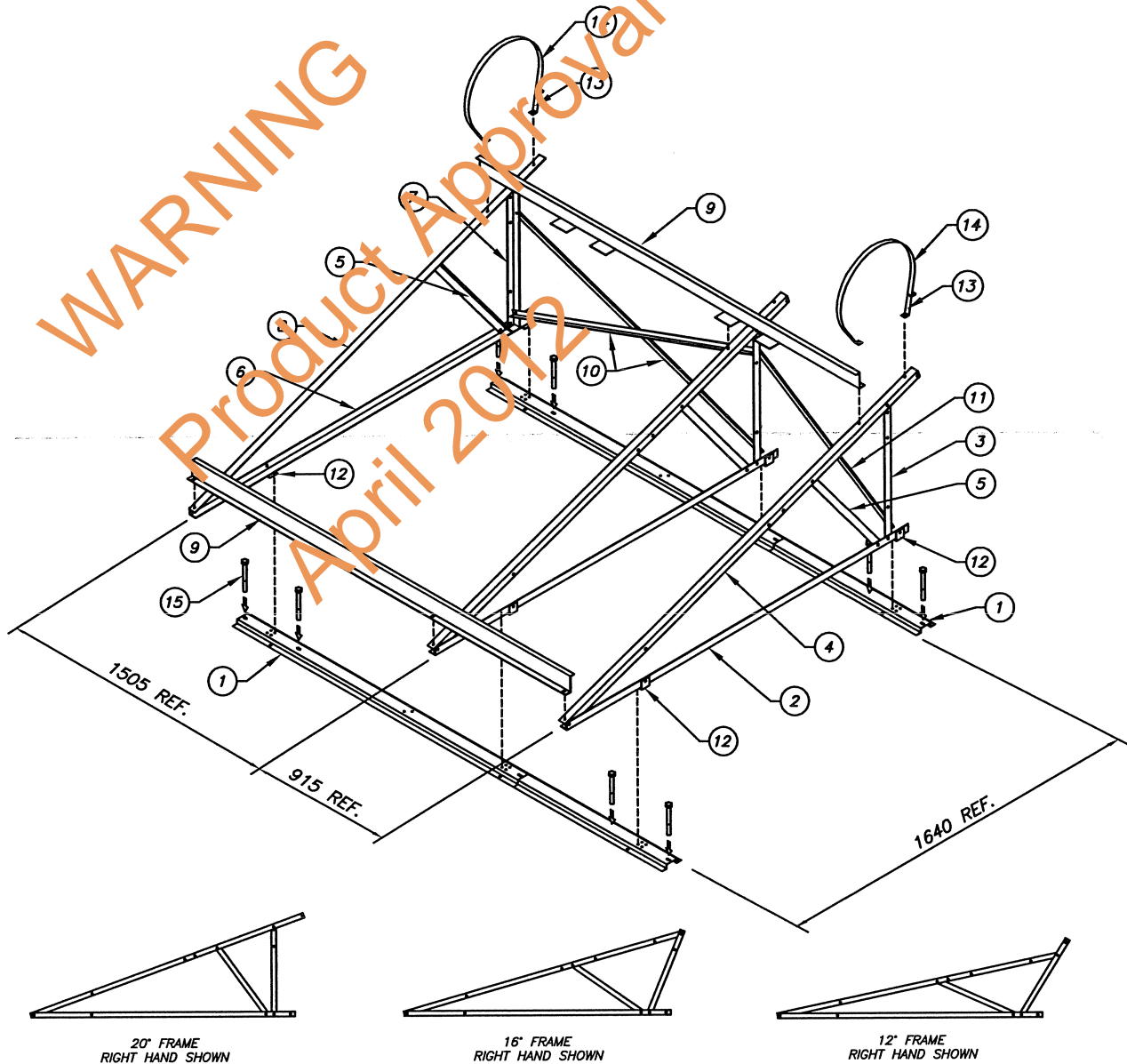


ITEM	DESCRIPTION	SIZE	STOCKCODE	QTY
1	ROOF TRAY - SHORT	1800	1010490	4
2	FRAME ANGLE - BOTTOM - RIGHT HAND	2195	1016184	2
3	FRAME ANGLE - REAR - RIGHT HAND	743	1016182	1
4	FRAME ANGLE - TOP - RIGHT HAND	2386	1016185	2
5	FRAME BRACE	705	1016183	3
6	FRAME ANGLE - BOTTOM - LEFT HAND	2195	1016196	1
7	FRAME ANGLE - REAR - LEFT HAND	743	1016195	1
8	FRAME ANGLE - TOP - LEFT HAND	2386	1016197	1
9	Z - SECTION PANEL SUPPORT	2420	1010058	2
10	DIAGONAL BRACE - 25x25x3	1370	1010445	2
11	DIAGONAL BRACE - 25x25x3	1115	1016198	2
12	ANGLE BRACKET - 50x50x2.5	50	1010454	4
13	SHORT TANK STRAP	24x132	1016093-2	2
14	LONG TANK STRAP	24x1472	1016093-1	2
15	M10 GALV. BOLTS AND WASHERS	SEE NOTE	-	8



NOTE:  
FOR ROOF FIXING DETAILS REFER TO DRAWINGS: 6454, 6455, 6456, 6457.

<p><b>KBR</b> Kellogg Brown &amp; Root Pty Ltd ABN 91 007 660 317 Reg. No. - KEES8332</p> <p>Certified: <i>[Signature]</i> Date: 10/6/04</p>	<p><b>L440 ADJUSTABLE FRAME COMPONENTS STANDARD PITCH ROOF - STANDARD N.T.</b></p>	
	<p>OUR REFERENCE: 6451</p> <p><i>[Logo]</i> EDWARDS -hot-water-</p> <p><small>EDWARDS HOT WATER PTY LTD. 105 WILCHAM ROAD, CARBUNG VALE WESTERN AUSTRALIA 6155 TEL: +618 9334 4222 FAX: +618 9334 4200 AHS 28 028 678 613</small></p>	<p>REVISION: 0      DATE: 02 MAR 04</p> <p><b>DESIGN DATA SHEET</b></p> <p><i>[Signature]</i> IP. G. 04      M/S1410 Amdt. BASB APPROVAL      DATE      DRAWING NUMBER.</p>