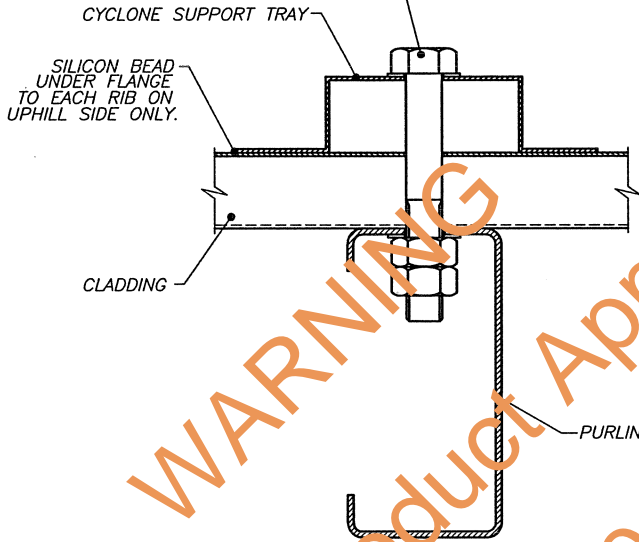


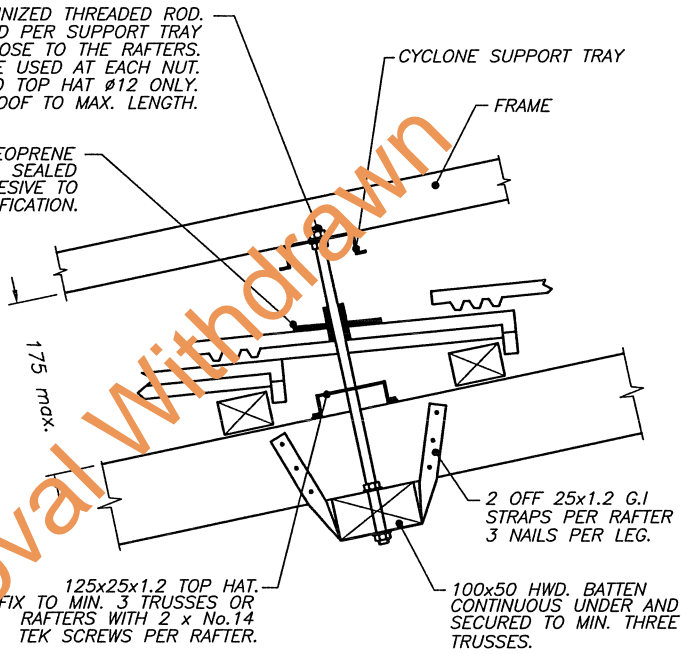
M12 GALVINIZED THREADED ROD.
THREE RODS EQUISPACED PER SUPPORT TRAY
AND POSITIONED CLOSE TO THE RAFTERS.
WASHERS TO BE USED AT EACH NUT.
PRE-DRILL TIMBER AND TOP HAT Ø12 ONLY.
TRIM ROD LENGTH TO SUIT ROOF TO MAX. LENGTH.

LUDOWICI MOULDED NEOPRENE
COLLAR (CAT.NO. 5 3705) SEALED
TO TILE WITH SILICON ADHESIVE TO
MANUFACTURERS SPECIFICATION.

M10 GALV. BOLT, WASHERS
AND NUTS THROUGH CENTRE
OF SUPPORT TRAY AND
CREST OF SHEET RIB.
MIN. 4 PER SUPPORT TRAY.

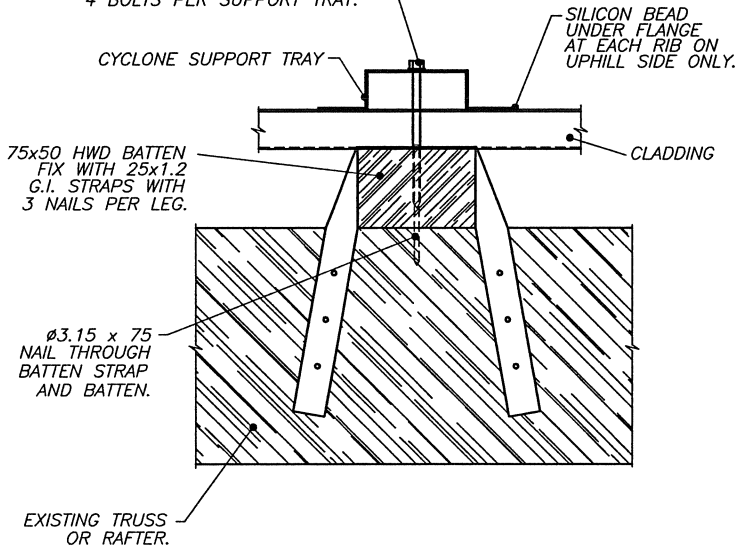


SHEET ROOF STEEL STRUCTURE
Not to Scale

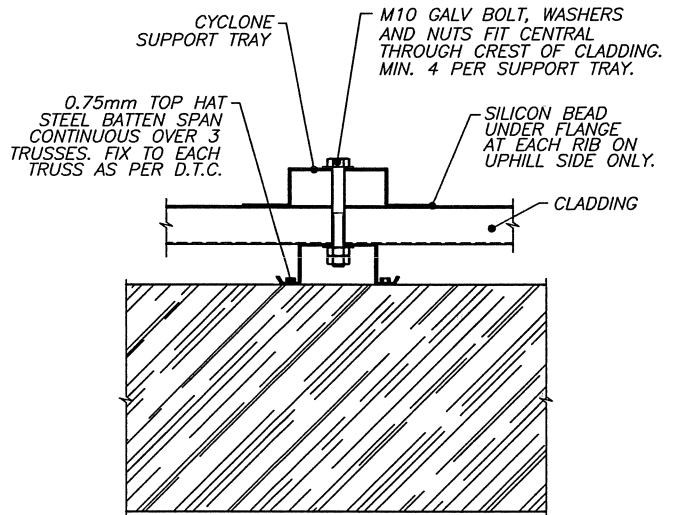


TILED AND CLEAR OF ROOF INSTALLATION
Not to Scale

M10 COACH BOLT AND WASHER
THROUGH CENTRE OF SUPPORT
TRAY AND CREST OF SHEET RIB.
MIN. 40mm PENETRATION AND
4 BOLTS PER SUPPORT TRAY.



SHEET ROOF TIMBER STRUCTURE
Not to Scale



SHEET ROOF WITH STEEL BATTENS
Not to Scale

KBR

Kellogg Brown & Root Pty Ltd
ABN 91 007 660 317
Reg. No. - KES8332

Certified:

Date: 21/7/04

CYCLONE SUPPORT TRAY FIXING DETAIL

OUR REFERENCE: 6542

REVISION: 0

DATE: 21 JULY 04

EDWARDS
HOT WATER

EDWARDS HOT WATER PTY LTD.
109 VULCAN ROAD, CANNING VALE
WESTERN AUSTRALIA, 6105
PH: +618 9334 4220
FAX: +618 9334 4200
ABN 26 008 876 613

ALL INTELLECTUAL PROPERTY IN THIS DESIGN INCLUDING
ANY PATENT, PATENT APPLICATION AND/OR DESIGN
REGISTRATION AND/OR COPYRIGHT ARE THE PROPERTY OF
EDWARDS.

DESIGN DATA SHEET

4.8.04
DATE
M15/4/13
DRAWING NUMBER.

BASB APPROVAL

DATE

DRAWING NUMBER.