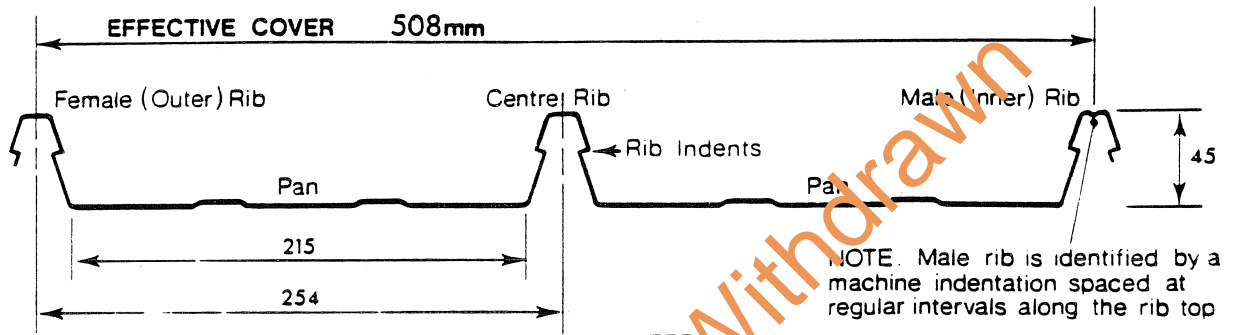


**DESIGN DATA**

**SPEED DECK (mark III)**

**SPEED DECK PROFILE (mark III)**

**PRODUCT IDENTIFICATION**

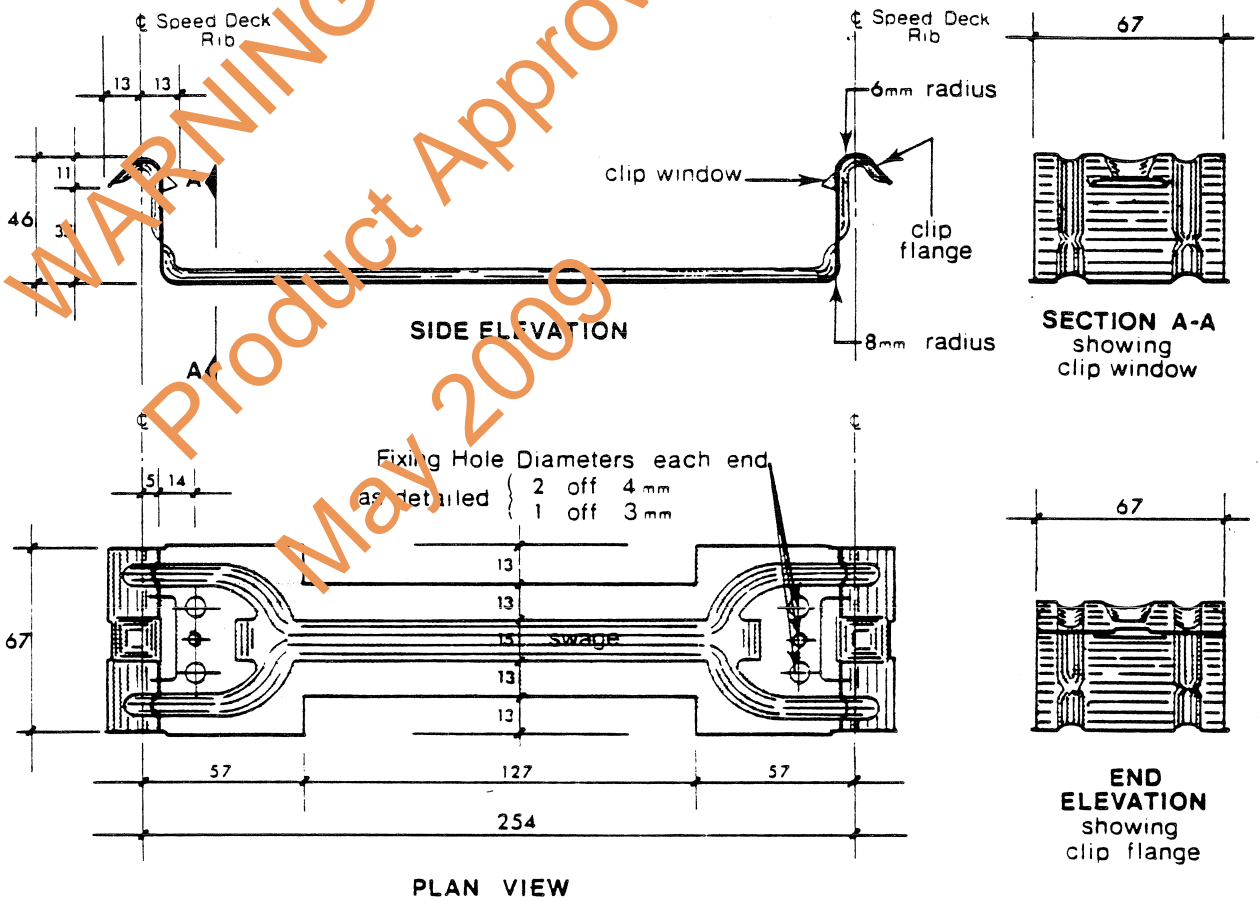


NOTE: Male rib is identified by a machine indentation spaced at regular intervals along the rib top

**MATERIAL:**

Stramit Speed Deck (mark III) is manufactured from Zincform (base grade G300, coating class Z 430), total coated thickness 0.77mm and 0.62mm.

**SPEED DECK (mark III) FIXING CLIP**



NOTE:  
For two fasteners use centre (3mm) holes.  
For four fasteners use outer (4mm) holes.

**MATERIAL:**

Stramit Mark III Speed Deck Clips are manufactured from Galvabond Steel with a zinc coating weight of Z300, and a thickness of 1.2mm.

MANUF'S NAME <b>Stramit Industries Limited</b>  ADDRESS <b>96 Franklin Street Melbourne 3000.</b>  PHONE No <b>329 7611</b>	FIXING OF  <b>STRAMIT "SPEED DECK" ROOFING</b>	
	IN THE DARWIN AREA	
<b>DESIGN DATA SHEET</b>		
CERTIFIED <i>Hawland</i> MIE AUST  DATE <b>20/2/1977</b>	<b>NORTHERN TERRITORY CYCLONIC AREAS</b>	
	DRAWING No <b>M/109/1</b>	Date <b>12/6/78</b>