

SPECIFICATION

SPEED DECK (mark III)

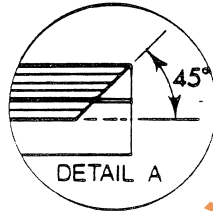
FIXING RECOMMENDATIONS

STOP ENDING

The stop ending of Speed Deck sheets if required should be carried out prior to laying the sheets. Stop ending is required for skillion and pitched roofs, but is unnecessary for bow over applications. The following three step method of stop ending is recommended.

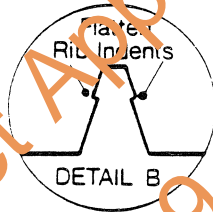
STEP 1

Trim back the side of the female rib at an angle of 45° as in detail A.



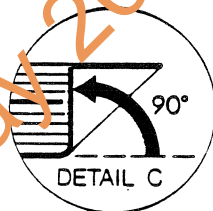
STEP 2

Using the turn-up tool as a dolly, hammer the indents of the ribs flat. This will eliminate tearing of the metal at the rib indentation when proceeding with step three. Refer detail B.

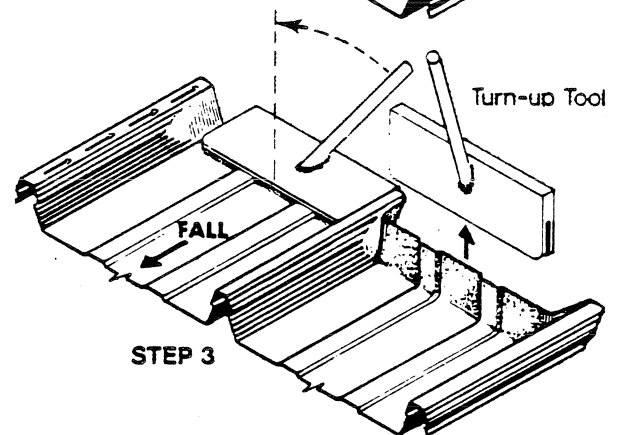
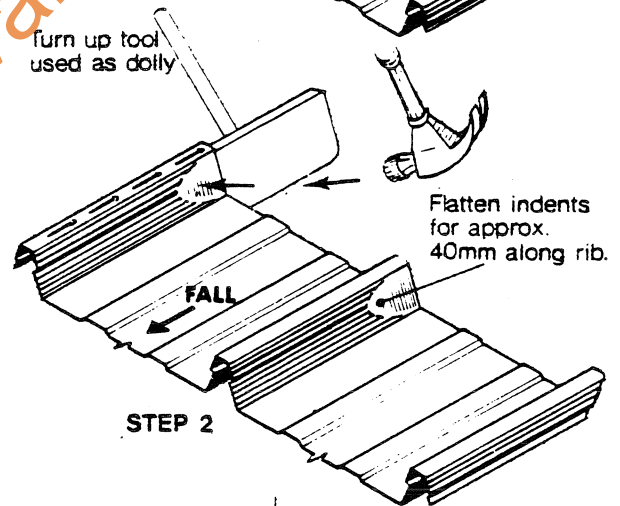
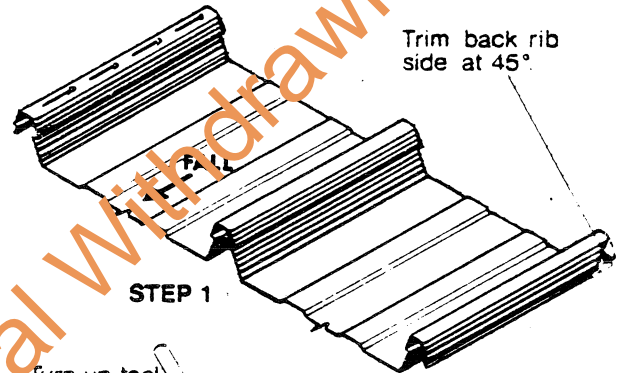
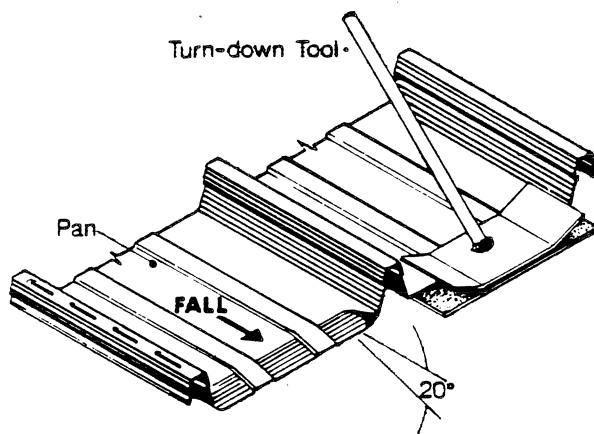


STEP 3

Apply turn-up tool to each pan and fold upwards to a 90° angle. It is important that the pan is turned up the full height of the rib as in detail C.



TURN DOWN



Speed Deck pans should be turned down at the low end of each sheet to provide adequate water run off. The Stramit turn-down tool should be applied after the sheets have been anchored in position. Each pan should be turned down approximately 20°.

HOUSE DETAILS	FIXING OF	
OWNER	STRAMIT "SPEED DECK" ROOFING	
LOT No	IN THE DARWIN AREA	
STREET	SPECIFICATION SHEET	
DISTRICT	NORTHERN TERRITORY CYCLONIC AREAS	DRAWING No.
TERRAIN CATEGORY MULTIPLIER	Accptd <i>[Signature]</i>	M/109/9
	Date <i>12/6/10</i>	