

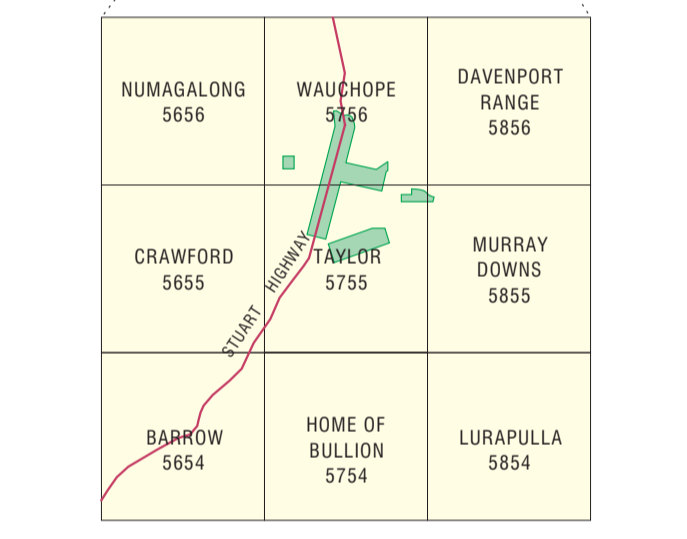
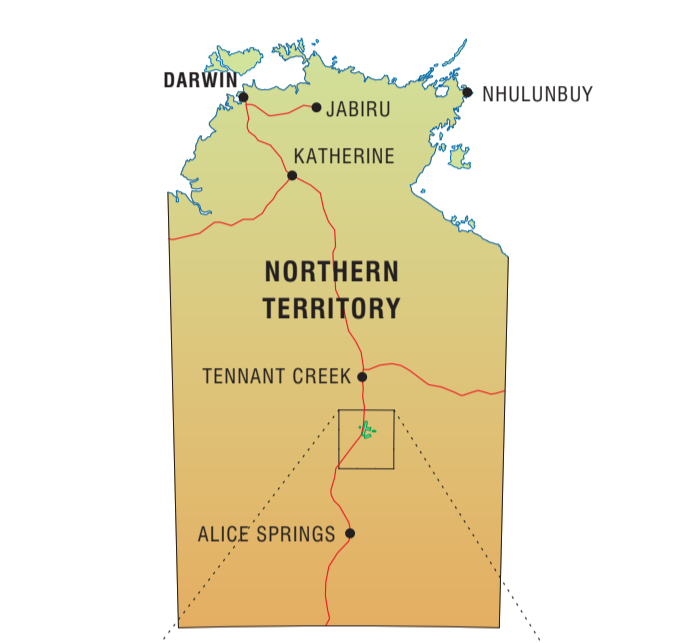
### GENERAL FEATURES

- Survey boundary .....
- Property boundary .....
- Aboriginal community ..... ■ Ali Curung
- Water Bore .....
- Ridge .....
- Highway .....
- Minor road .....
- Urban road .....
- Local road / track .....
- Subject to inundation .....
- Drainage line .....

Base Information Data Sources:

- Department of Infrastructure, Planning and Logistics Northern Territory of Australia
- Geoscience Australia, Australian Government

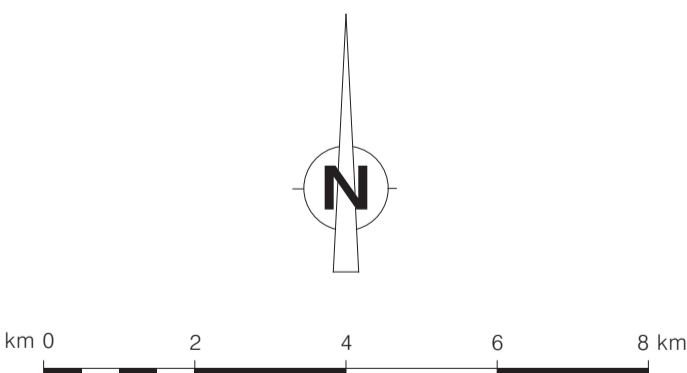
### MAP LOCALITY and 1: 100 000 MAP SHEET INDEX



© Northern Territory of Australia

This product and all material forming part of it is copyright belonging to the Northern Territory of Australia. You may use this material for your personal, non-commercial use or use it within your organisation for non-commercial purposes, provided that an appropriate acknowledgement is made and the material is not altered in any way. Subject to the fair dealing provisions of the Copyright Act 1968, you must not make any other use of this product (including copying or reproducing it or part of it in any way) unless you have the written permission of the Northern Territory of Australia to do so.

The Northern Territory of Australia does not warrant that the product or any part of it is correct or complete and will not be liable for any loss damage or injury suffered by any person as a result of its inaccuracy or incompleteness.

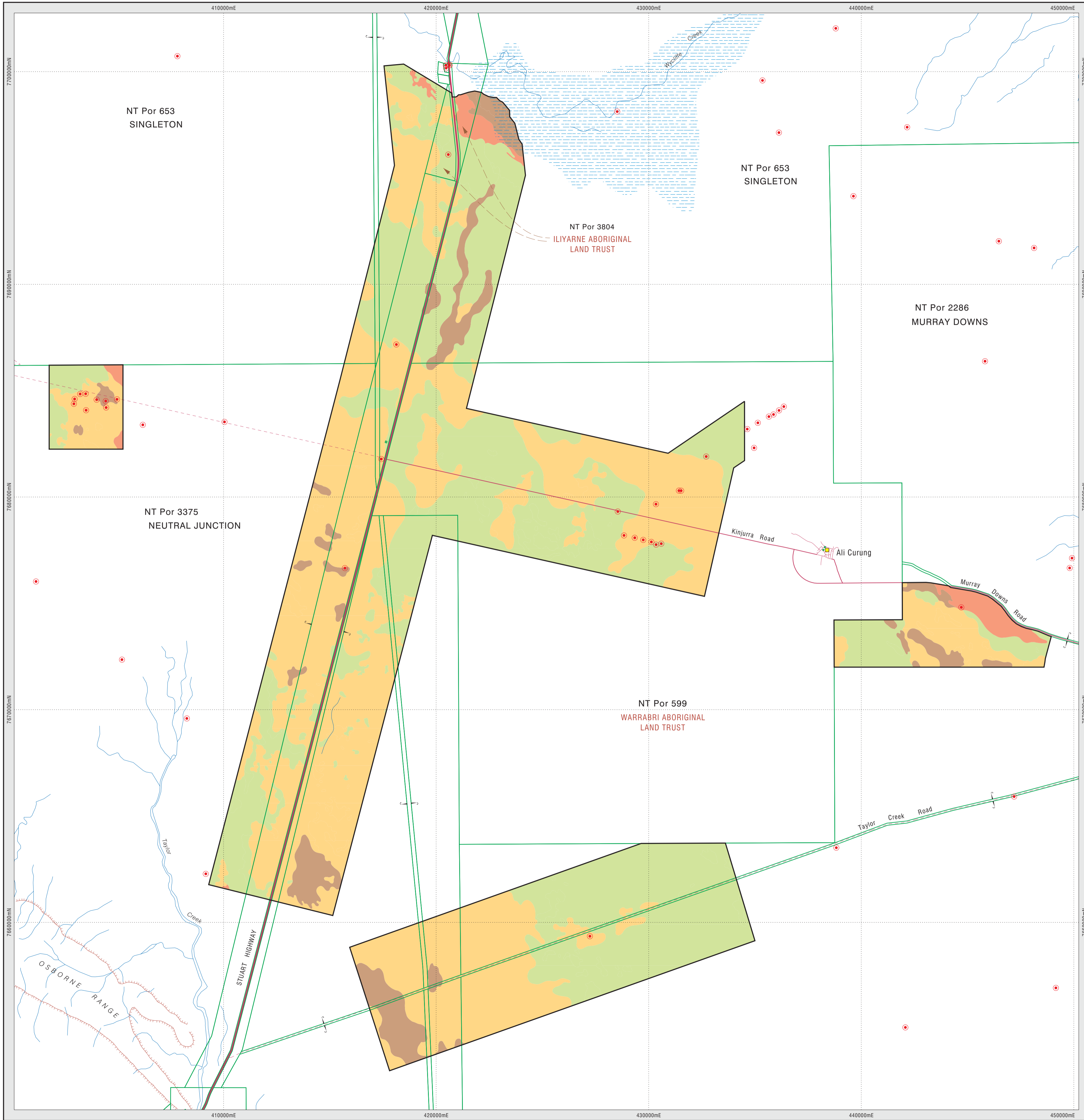


Black numbered lines are 10 000 metre intervals of the Map Grid of Australia (MGA) Zone 53 Transverse Mercator Projection Horizontal Datum: GDA 94

Cartography by R. Lim, Spatial Data and Mapping Water Resources Division Department of Environment and Natural Resources Northern Territory of Australia. November 2016.

This map was produced on the Geocentric Datum of Australia 1994 (GDA 94)

This work is licensed under a Creative Commons Attribution-NonCommercial-ShareAlike 4.0 International License. <https://creativecommons.org/licenses/by-nc-sa/4.0/>



## Soil and Land Suitability Assessment for Irrigated Agriculture

# LAND SUITABILITY FOR IRRIGATED EVERGREEN TREE CROPS

### ALI CURUNG AREA - Map 5 of 9

For further information contact:  
 Department of Environment and Natural Resources  
 Director, Land Assessment, Rangelands Division  
 Ph. (08) 8999 4443 Email: rangelands@nt.gov.au Web: http://denr.nt.gov.au  
 Level 3, Goyder Centre, 25 Chung Wah Terrace, Palmerston, Northern Territory of Australia.  
 Web: http://nrmaps.nt.gov.au Map Reference: Ali-Curung\_Land-Suitability\_Map-5-of-9

### LAND SUITABILITY CLASSES

- Class 1** **SUITABLE LAND WITH NEGLIGIBLE LIMITATIONS**  
Highly productive land requiring only simple management practices to maintain sustainable production.
- Class 2** **SUITABLE LAND WITH MINOR LIMITATIONS**  
Land with minor limitations that either constrain production or require more than the simple management practices of Class 1 land to maintain sustainable production.
- Class 3** **SUITABLE LAND WITH MODERATE LIMITATIONS**  
Land with moderate limitations that further constrain production or require more than the management practices of Class 2 land to maintain sustainable production.
- Class 4** **UNSUITABLE LAND WITH SEVERE LIMITATIONS**  
Currently unsuitable land with severe limitations that preclude successful or sustained use under existing conditions. Future changes in knowledge, economics or technology may alter this.
- Class 5** **UNSUITABLE LAND WITH EXTREME LIMITATIONS**  
Land with extreme limitations that preclude any possibility of successful or sustained use, either now or in the future.

### ALI CURUNG AREA MAP SERIES

Map	Map Title	Crop Group	Individual Crops Assessed
1	Land resources of the Ali Curung Area	N/A	N/A
2	General land capability of the Ali Curung Area	N/A	N/A
3	Land suitability for irrigated field crops	1	Chia, quinoa
4	Land suitability for irrigated hay and forage	2	Grass hay (Rhodes grass, panics, sorghum, oats, barley), forage legumes (lucerne, peanut)
5	Land suitability for irrigated evergreen tree crops	3	Citrus (lime, lemon, mandarin, orange, grapefruit, tangelo), mango, avocado, lychee
6	Land suitability for irrigated deciduous tree and vine crops	4	Fig, pomegranate, low chill stone fruit, table grape
7	Land suitability for irrigated annual row crops	5	Cucurbit species (watermelon, hami melon, honeydew melon, rockmelon, pumpkin, zucchini, squash) Salad vegetables (lettuce, baby spinach, rocket) Asian greens Summer vegetables (Solanaceae species - capsicum, chilli, eggplant, tomato) Sweet corn, beans, snow peas, Brassica species
8	Land suitability for irrigated perennial row crops	6	Asparagus
9	Land suitability for irrigated root crops	7	Garlic, onion, potato, sweet potato

Map unit boundaries were derived using satellite imagery in association with digital elevation model, geological and topographic data. Landform, soil and vegetation field assessments conform to national standards and support mapping at a scale of 1:25 000. Final mapping is presented at a scale of 1:100 000.

When assessing specific areas within the mapping it is recommended a site inspection be undertaken to establish unmapped variation and confirm mapping accuracy on the ground.

This map does not indicate, imply or ascertain the likelihood of groundwater availability or the granting of appropriate water extraction licensing needed to satisfy the irrigation requirements of the potential agricultural development options indicated.

**BIBLIOGRAPHIC REFERENCE:**  
 Burgess J, McGrath N, Andrews K and Wright A (2016) *Agricultural Land Suitability Series, Report 5. Soil and Land Suitability Assessment for Irrigated Agriculture in the Ali Curung Area, Western Davenport District*. Technical Report 16/2016D. Department of Environment and Natural Resources, Northern Territory Government, Darwin, NT.

**TECHNICAL REFERENCES:**  
 National Committee on Soil and Terrain (2009) *Australian Soil and Land Survey Field Handbook*. 3rd Edition. CSIRO Publishing, Melbourne.  
 Isbell R F (2002) *The Australian Soil Classification*. Revised Edition. CSIRO Publishing, Melbourne.  
 Executive Steering Committee for Australian Vegetation Information (ESCAVI) (2003) *Australian Vegetation Attribute Manual: National Vegetation Information System, Version 6*. Department of Environment and Heritage, Canberra.

