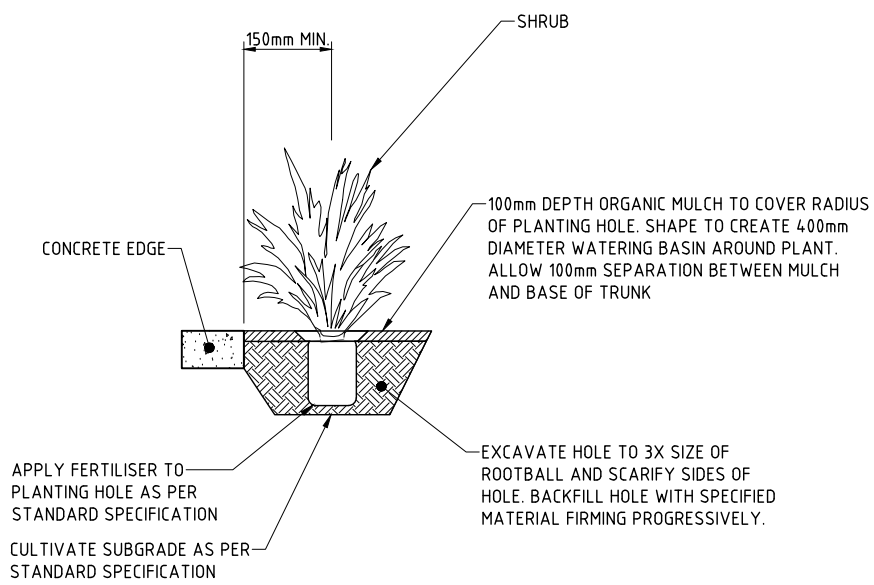
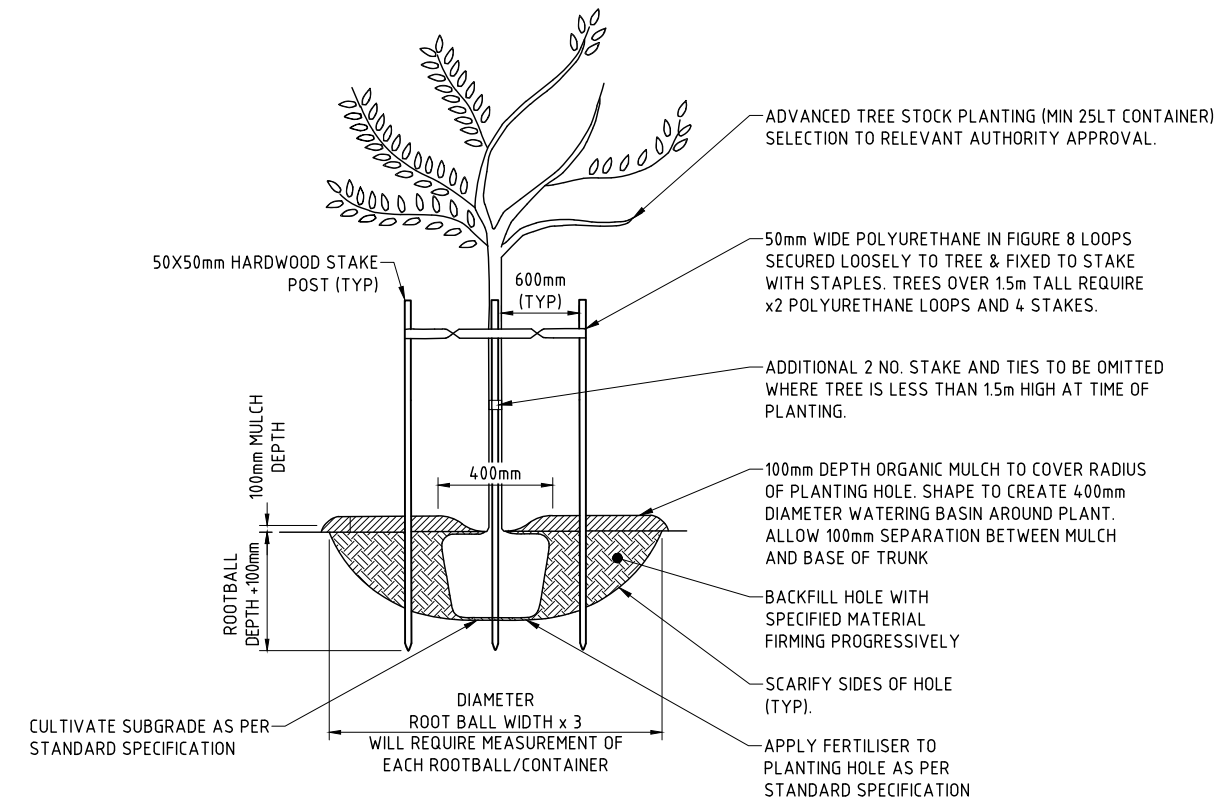


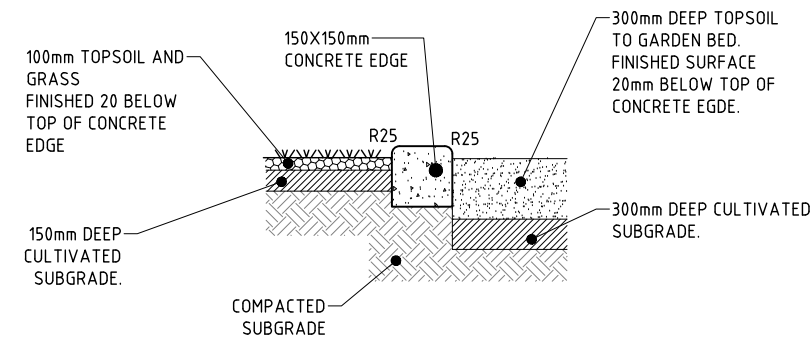
**TREE PLANTING PLAN**  
NOT TO SCALE



**SHRUB PLANTING DETAIL**  
NOT TO SCALE



**TREE PLANTING ELEVATION**  
NOT TO SCALE



**GARDEN BED TO GRASS TYPICAL DETAIL**  
NOT TO SCALE

- NOTES:**
1. ALL WORK MUST BE UNDERTAKEN IN ACCORDANCE WITH THE STANDARD SPECIFICATION FOR SUBDIVISIONS ALONG WITH SPECIFIC AMENDMENTS.
  2. WHERE TREES ARE LOCATED LESS THAN 3m FROM BUILT INFRASTRUCTURE (ROADS, PATHWAYS, SHELTERS, BUILDING ETC.), OR 1m FROM SERVICES, ROOT BARRIERS MUST BE INSTALLED. EXISTING NATIVE TREES MAY REQUIRE GREATER DISTANCES IN ACCORDANCE WITH AS4970.
  3. REFER PROJECT LANDSCAPING AND IRRIGATION DESIGN DRAWINGS FOR FURTHER DETAILS.

No.	AMENDMENT DESCRIPTION	DATE	INIT.	DEPT/COMPANY
1	REISSUED AS A STANDARD DRAWING	APR 23	KS	BYRNE
0	ISSUED AS A STANDARD DRAWING	AUG 20	KS	BYRNE

Drawn	KS	Checked	PB
Date:	AUGUST 2020	Date:	AUGUST 2020
Designed	PB	Checked	SPB
Date:	AUGUST 2020	Date:	AUGUST 2020
Design Project Leader	SPB	NTG Project Manager	N/A
Date:	AUGUST 2020	Date:	AUGUST 2020



SUBDIVISION DEVELOPMENT GUIDELINES STANDARD DRAWINGS				
PUBLIC OPEN SPACE AND LANDSCAPING				
PLANTING TYPICAL DETAILS				
NTG Project No.	NTG Asset No.	Sheet Reference	NTG Drawing No.	Amendment
-	-	1 OF 1	SS2000	1