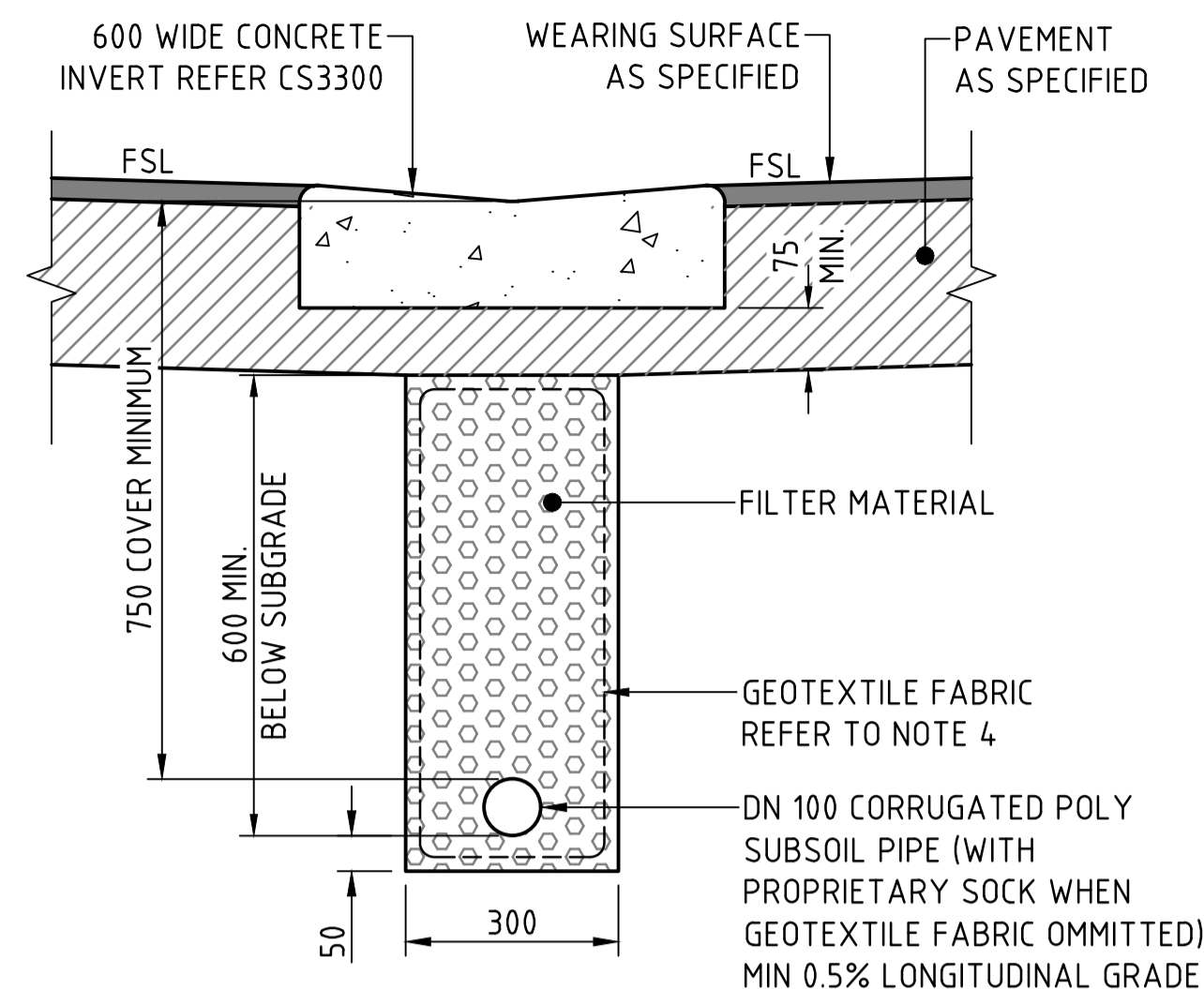
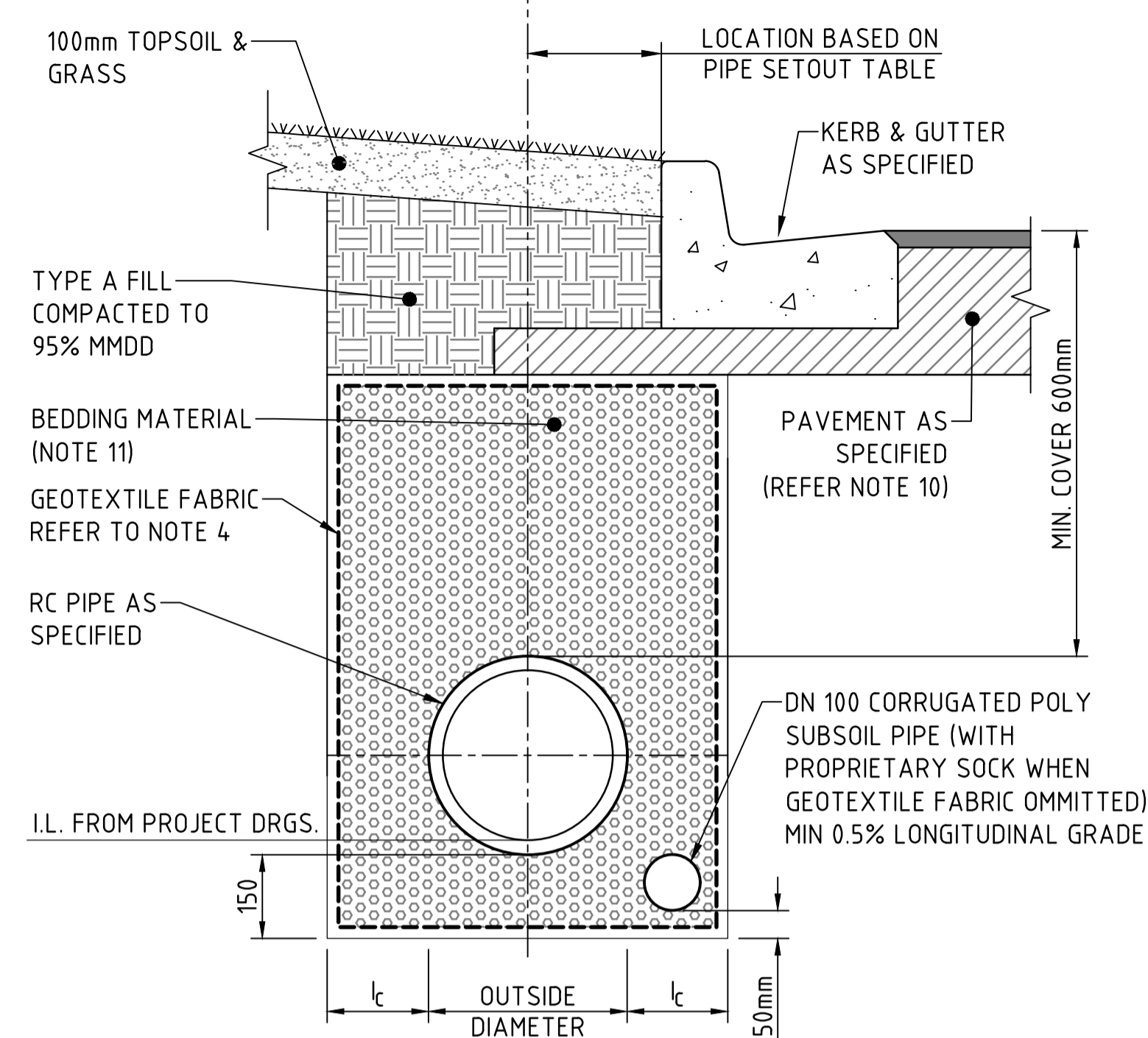


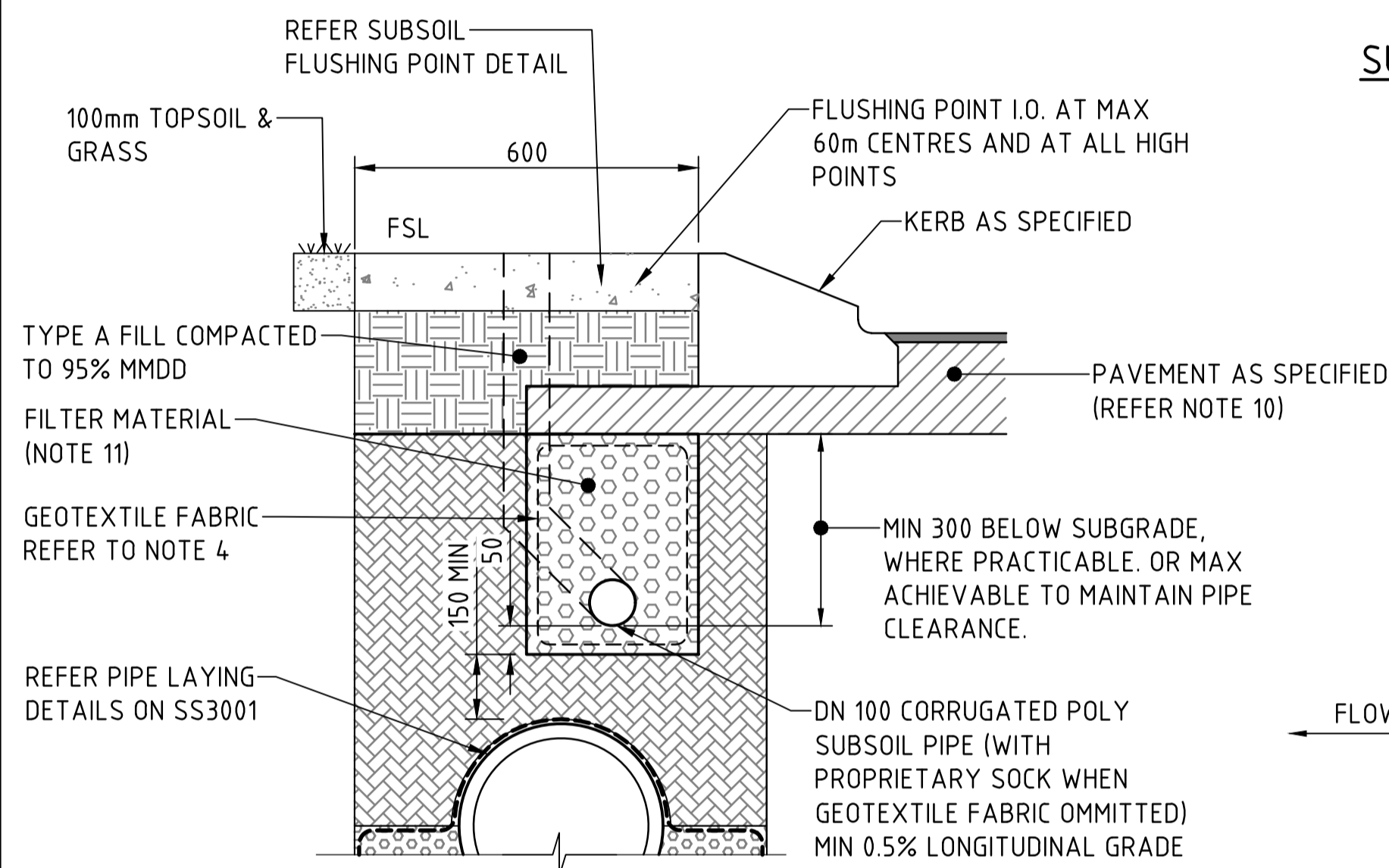
SUBSOIL DRAIN TYPE 1 - BEHIND KERB
NOT TO SCALE



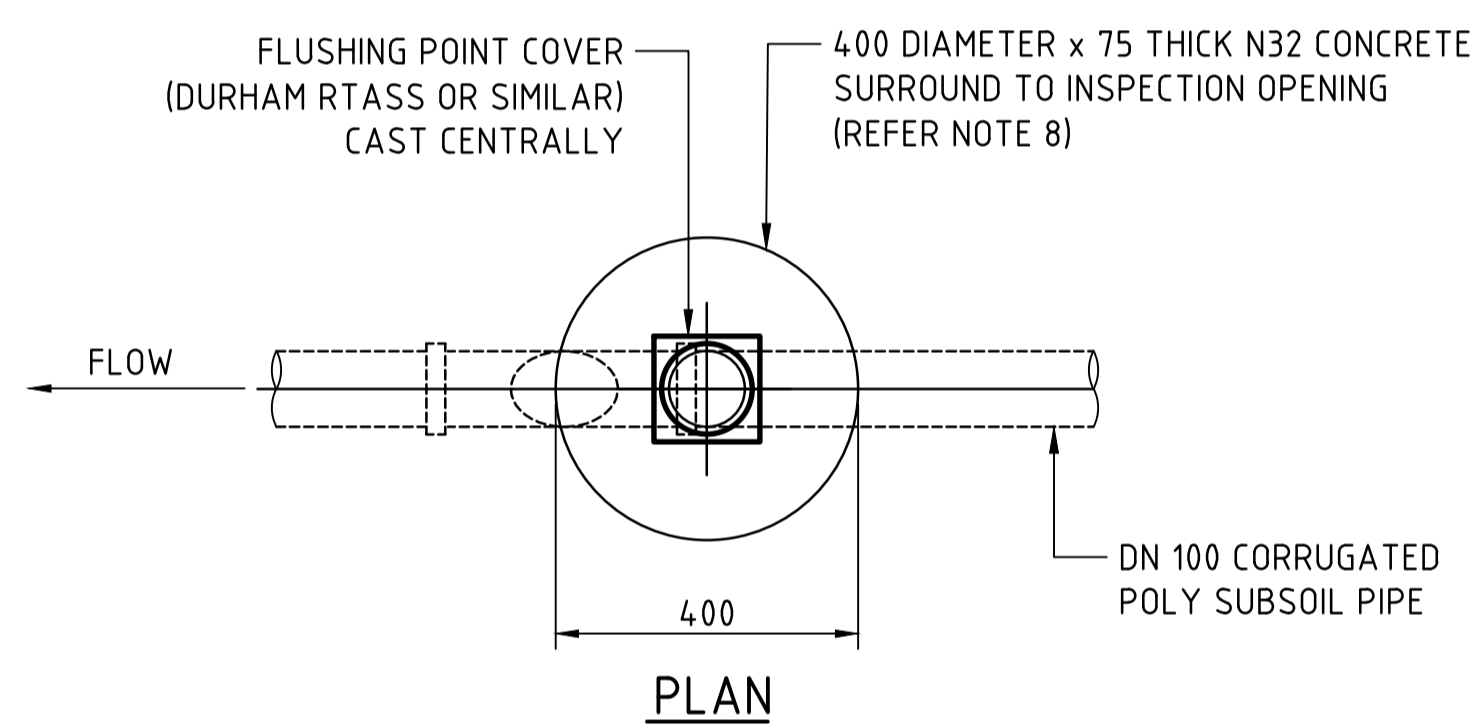
SUBSOIL DRAIN TYPE 3 - BENEATH CONCRETE INVERT
NOT TO SCALE



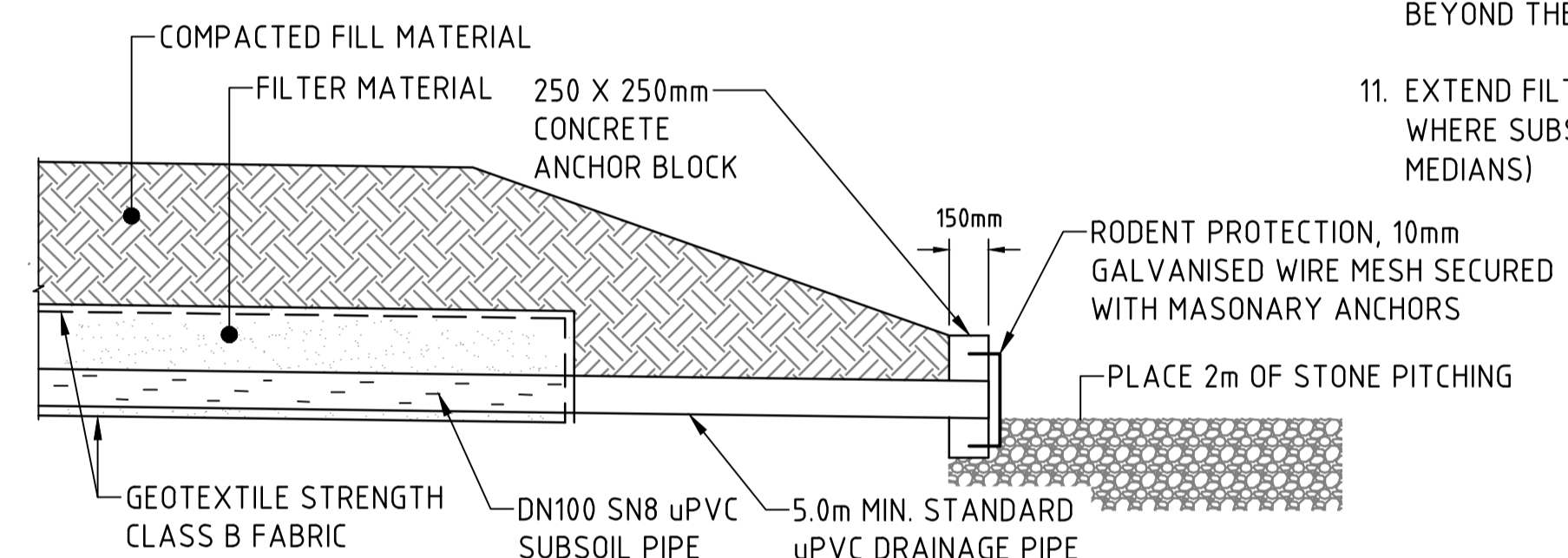
SUBSOIL DRAIN TYPE 2B - BEHIND KERB IN COMMON TRENCH (ALT)
NOT TO SCALE



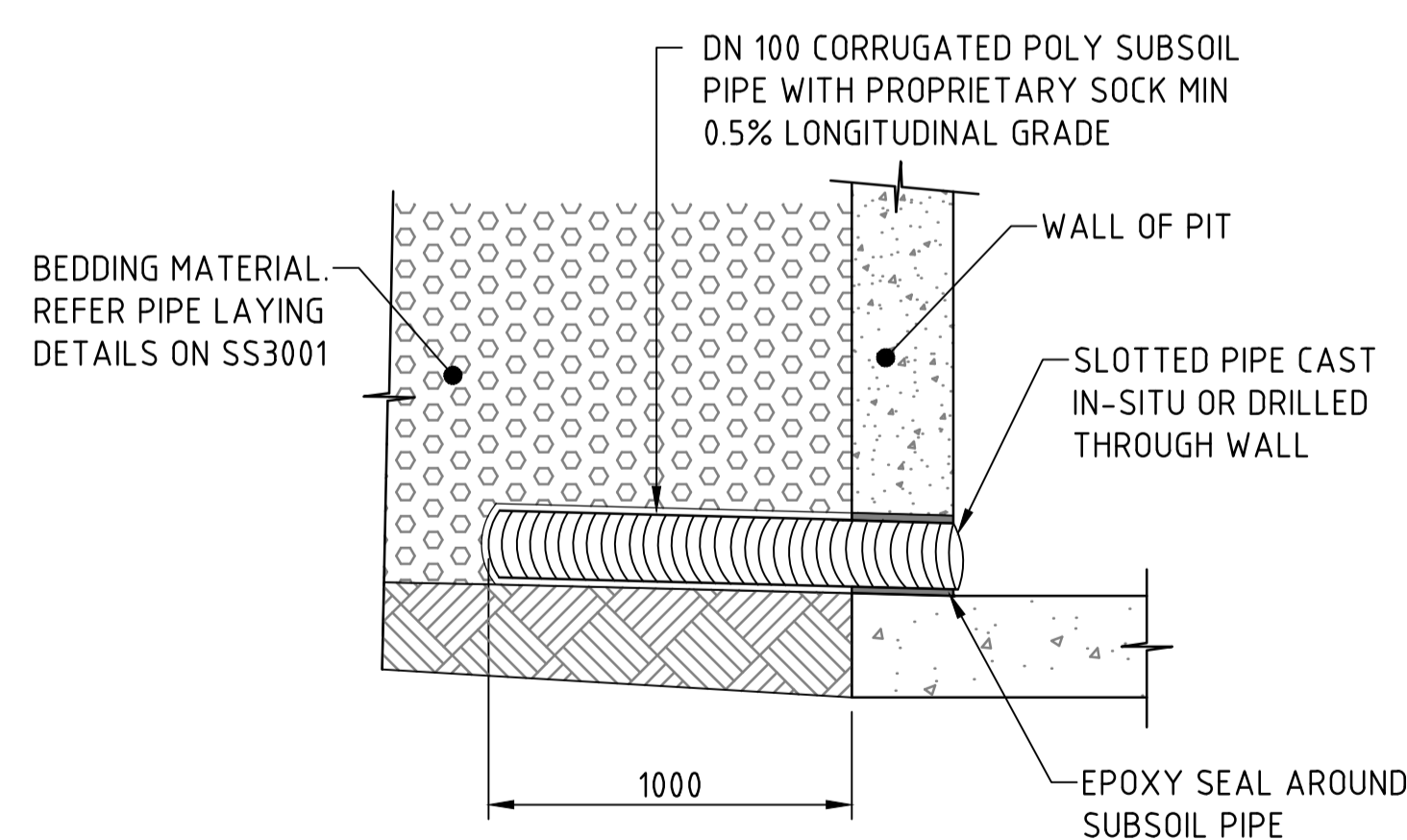
SUBSOIL DRAIN TYPE 2A - BEHIND KERB IN COMMON TRENCH
NOT TO SCALE



SUBSOIL FLUSHING POINT DETAIL
NOT TO SCALE

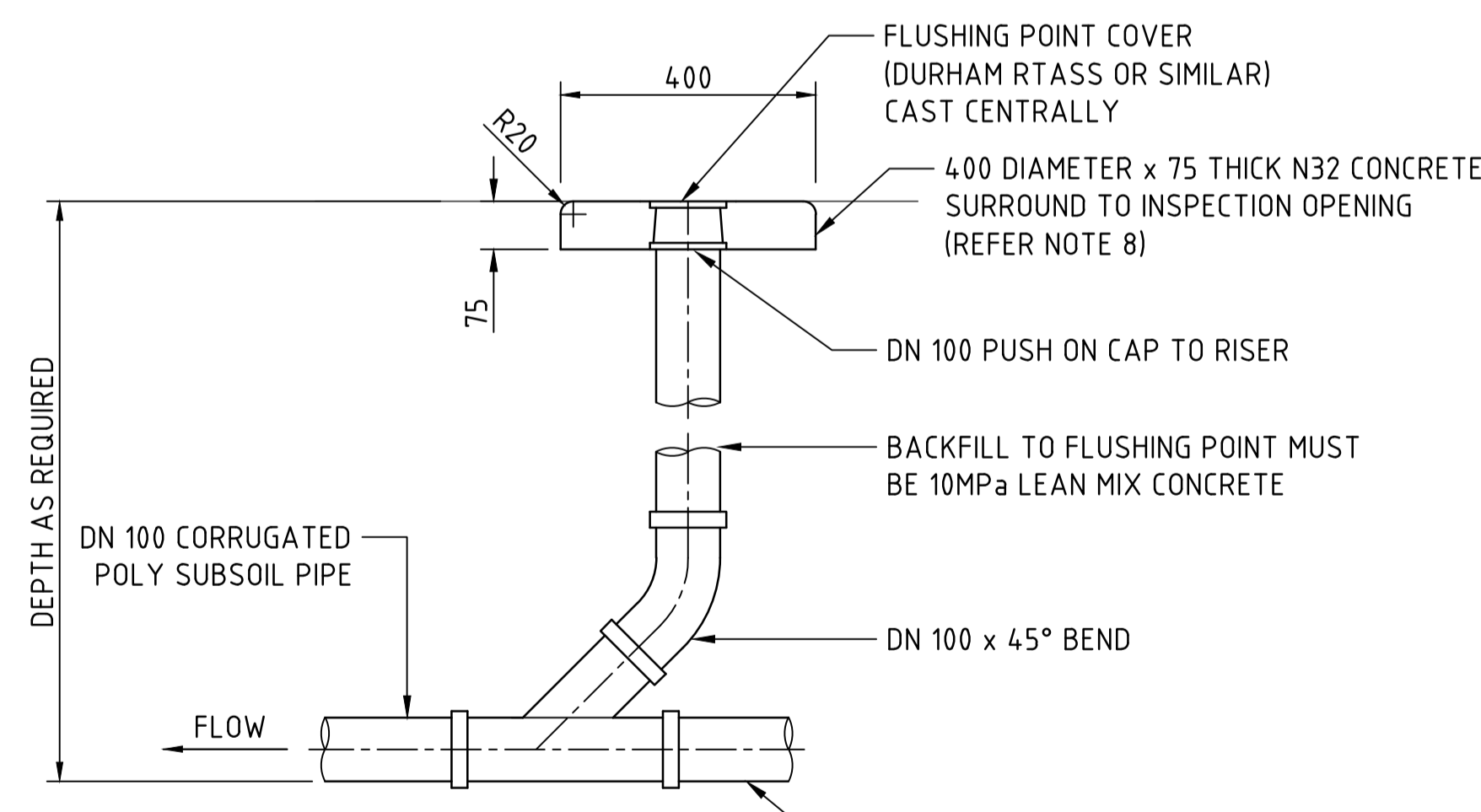


SUBSOIL DRAIN OUTLET TO BATTERS/TABLE DRAINS
NOT TO SCALE



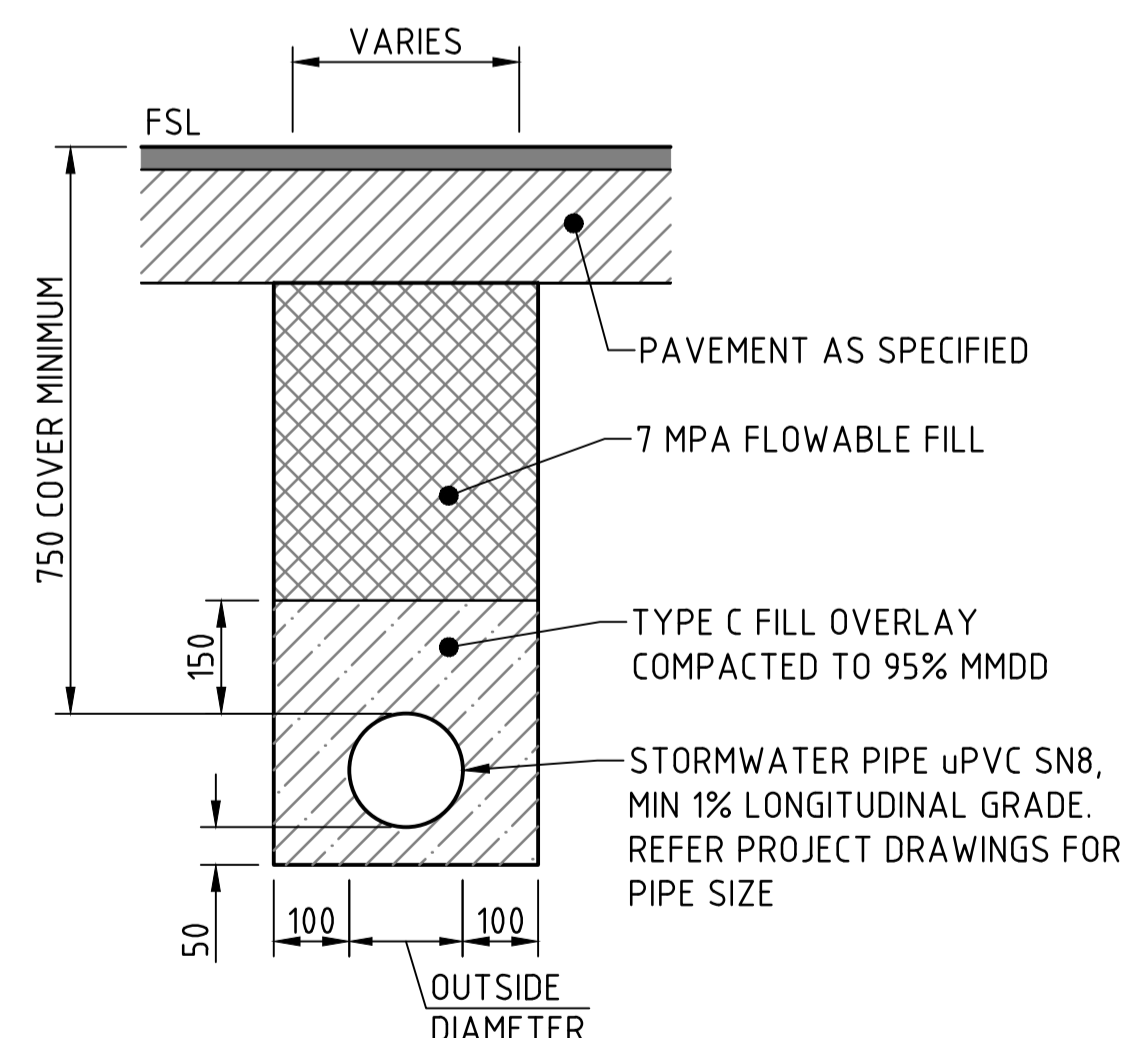
WEEPHOLE CONNECTION TO MANHOLES, SIDE ENTRY PITS AND HEADWALLS
NOT TO SCALE

(REFER NOTE 5)

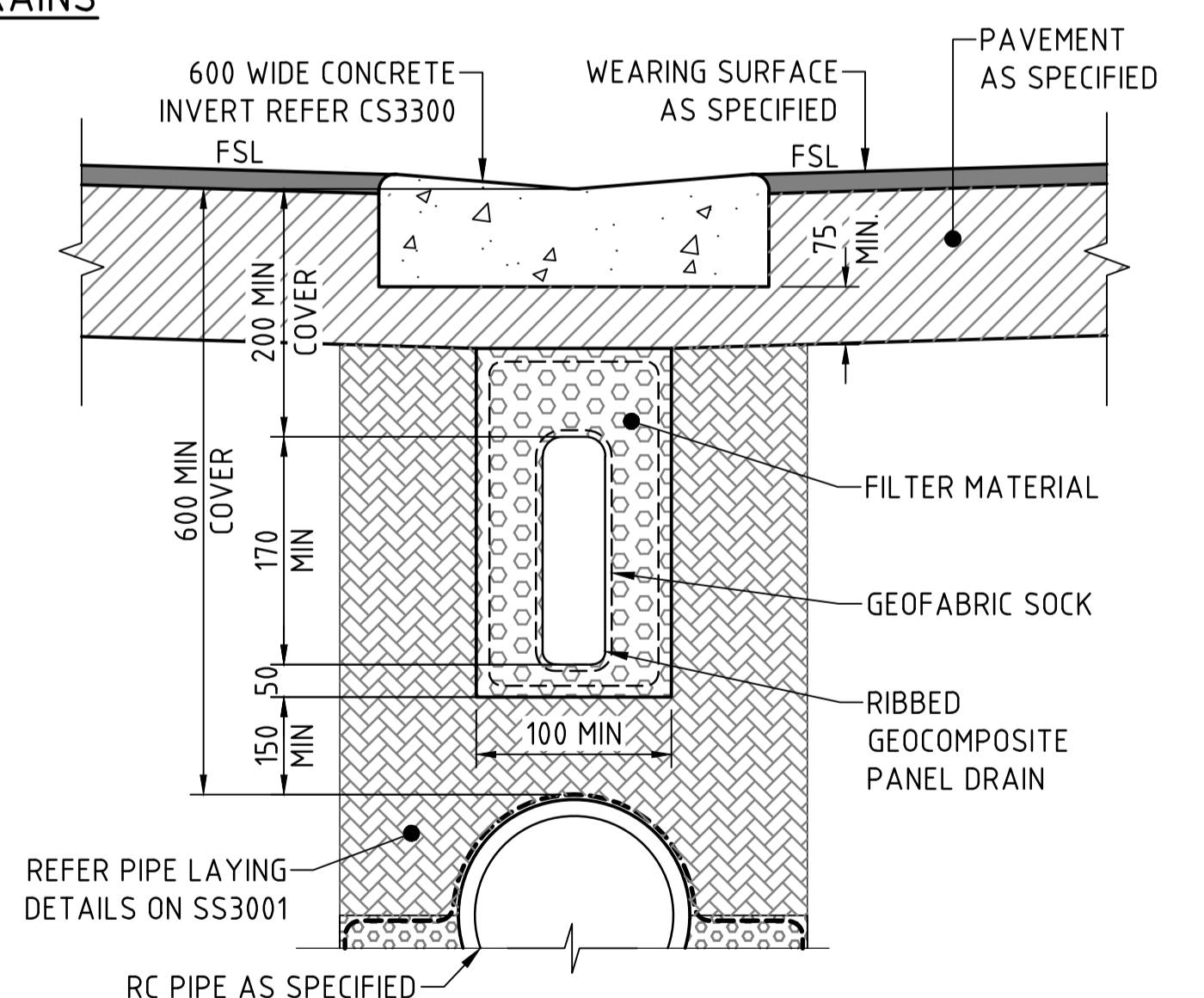


SUBSOIL FLUSHING POINT DETAIL
NOT TO SCALE

(REFER NOTES 6 & 7)



SUBSOIL DRAIN - TYPICAL ROAD CROSSING
NOT TO SCALE



SUBSOIL DRAIN TYPE 4 - BENEATH CONCRETE INVERT IN COMMON TRENCH
NOT TO SCALE

NOTES:

- ALL WORK MUST BE UNDERTAKEN IN ACCORDANCE WITH THE STANDARD SPECIFICATION FOR SUBDIVISIONS ALONG WITH PROJECT SPECIFIC AMENDMENTS.
- ALL DIMENSIONS ARE IN MILLIMETRES (mm) UNLESS NOTED OTHERWISE.
- PROVIDE MINIMUM COVER TO ALL PIPES IN ACCORDANCE WITH MANUFACTURERS SPECIFICATIONS.
- GEOTEXTILE FABRIC TO COMPLY WITH STANDARD SPECIFICATION FOR SUBDIVISIONS. LAY GEOTEXTILE FABRIC CONTINUOUSLY. PROVIDE MINIMUM LAP LENGTHS IN ACCORDANCE WITH MANUFACTURERS SPECIFICATIONS. GEOTEXTILE FABRIC MAY BE OMITTED IN ROCK, WHERE APPROVED BY CERTIFYING ENGINEER.
- PROVIDE WEEPHOLE CONNECTIONS TO DEWATER DRAINAGE TRENCH. INSTALL TO UPSTREAM SIDES OF ALL PITS AND HEADWALLS.
- ALL PVC PIPE JOINTS TO BE SPIGOT AND SOCKET TYPE WITH RUBBER RING JOINT OR SOLVENT WELDED JOINT.
- LOCATE FLUSHING POINTS AT TOP OF LINE AND MAX. 60m SPACINGS. LOCATE TO AVOID CONFLICT WITH OTHER SERVICES AND LOT ACCESSES.
- CONCRETE SURROUND MAY BE OMITTED WHERE FLUSHING POINT LOCATED IN CONCRETE PAVEMENT.
- OUTLET ALL SUBSOILS TO DRAINAGE STRUCTURES GENERALLY BY CASTING DN100 uPVC SUBSOIL OUTLET WITH FROG FLAP SCREW CAP INTO STRUCTURE WALLS. FOR SUBSOIL DRAIN OUTLET TO BATTERS/TABLE DRAINS, REFER DETAIL.
- EXTEND PAVEMENT BENEATH KERB, 75 MIN. THICKNESS AND 300 BEYOND THE BACK OF KERB.
- EXTEND FILTER/BEDDING MATERIAL TO UNDERSIDE OF TOPSOIL WHERE SUBSOIL IS LOCATED ON HIGH SIDE OF ROAD (e.g. CENTRAL MEDIANS)

No.	AMENDMENT DESCRIPTION	DATE	INIT.	DEPT/COMPANY
2	RE-ISSUED AS A STANDARD DRAWING	JUNE 24	JCM	BYRNE
1	RE-ISSUED AS A STANDARD DRAWING	APR 23	KS	BYRNE
0	ISSUED AS A STANDARD DRAWING	AUG 20	KS	BYRNE

Drawn	Checked
KS Date: AUGUST 2020	PB Date: AUGUST 2020
Designed PB Date: AUGUST 2020	Checked SPB Date: AUGUST 2020
Design Project Leader SPB Date: AUGUST 2020	NTG Project Manager N/A Date: AUGUST 2020



SUBDIVISION DEVELOPMENT GUIDELINES STANDARD DRAWINGS
STORMWATER DRAINAGE

SUBSOIL DRAINAGE
TYPICAL DETAILS

NTG Project No.	NTG Asset No.	Sheet Reference	NTG Drawing No.	Amendment
-	-	1 OF 1	SS3000	2